

Installation Guide

Outdoor PIR Motion Sensor Camera
(862EX-F1)



NookBox

Smart Home Security



Outdoor PIR Motion Sensor Camera (862EX-F1)

862EX-F1 is an outdoor passive infrared (PIR) motion sensor camera. It is capable of sending wireless signals and captured images (picture quality of up to 640 × 480 pixels) to the Control Panel upon movement detection.

Featuring night illumination capability, with UV resistant housing, and waterproof to IP45 standard, VST-862EX-F1 is ideal for backyards, lawns, gates, outdoor corridors and hallways.

The outdoor PIR Camera is designed to give a typical detection range of 12 meters when mounted at 2 meters above ground. It provides pet-immunity up to 60 kilos with two selectable sensitivity levels to accommodate different environments.

Identifying the parts

1. Infrared LED

The Infrared LED is activated when the PIR Camera is triggered under low light condition to allow picture capture in the dark.

2. LED Indicator (Red)

The LED indicator is used to indicate the system status.

3. IR Sensor

The sensor is intended to detect moving objects.

4. PIR Camera Lens

5. Test & Learn Button

- Press and hold the button for 3 seconds to send a learn code, and then release the button when Red LED lights up.
- Press the button once to enter test mode for 10 minutes.

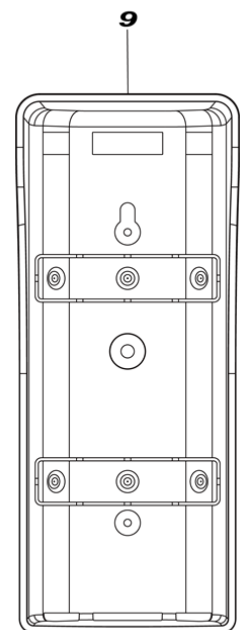
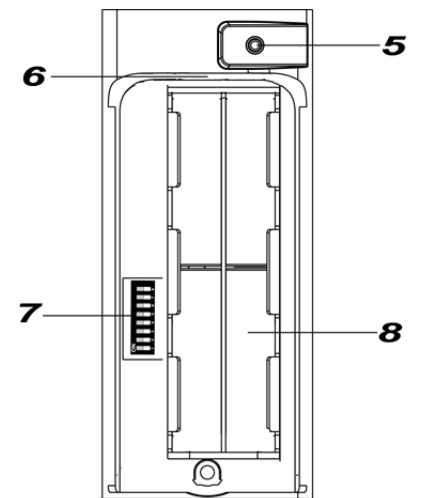
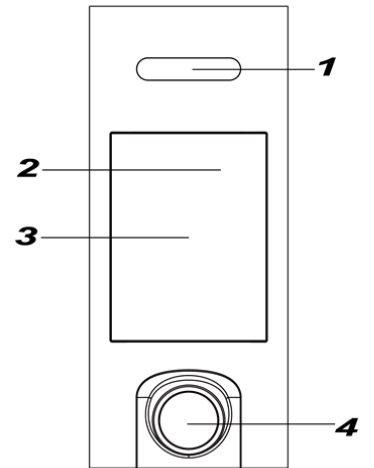
6. Internal Tamper

7. DIP Switch Block

There are 8 DIP Switches for setting the function & detection sensitivity levels.

8. Battery Compartment

9. Mounting Bracket



LED Indicator

When enabled, the LED Indicator will light up in the following conditions:

- When the Tamper Switch is triggered, the LED will flash for 6 times to indicate it is transmitting “Tamper” signal.
- When the PIR Camera is in fault conditions (tamper open or low battery condition persists), each time it transmits a detected movement, the LED will flash for 6 times.
- After the Test button is pressed once to enter Test Mode, the LED will flash for 60 seconds to indicate that the PIR motion sensor camera is warming up.
- In Test mode, the LED will turn on for 2 seconds whenever a movement is detected.

NOTE: The LED indicator can be enabled by setting the DIP Switch2 to ON position. Please refer to DIP Switch Position Table for details.

Image Capture

When the alarm system is armed, the PIR Camera will capture 1, 3 or 6 alarm images in 640 × 480 or 320 × 240 resolutions (programmable from Control Panel) upon movement detection. You can also manually request the PIR Camera to take a picture through the Control Panel. The captured images will be transferred to the Control Panel for visual alarm verification.

Warm Up Period

- When the PIR Camera is turned on by the Control Panel system upon entering arm mode or entering arm mode with fault conditions.
- When the test button is pressed once to enter Test Mode.
The Red LED will flash slowly during warm up period. During the 60-second warm up period, the PIR Camera will not be activated.

Test mode

- The PIR Camera can be put into Test mode for 10 minutes by pressing the Test button once. In Test mode, the sleep timer and image capture functions are disabled. LED indicator is enabled to light up for two seconds whenever a movement is detected. The PIR Camera will automatically exit Test Mode after 10 minutes, and return to normal mode.
- To put the PIR Camera into constant Test mode, please adjust DIP switch1 to ON position (Please refer to DIP Switch Position Table), and then press the test button once.

Supervision Signal

- After installation, the PIR Camera will automatically transmit Supervisory signals periodically to the Control Panel at random intervals of 30 to 50 minutes.
- If the Control Panel has not received the signal from the PIR Camera for the preset period of time, the Control Panel will indicate on its display that the particular PIR Camera is experiencing an out-of-signal problem.

Sleep Timer

- The PIR Camera features an automatic “sleep time” of approximately one minute for power conservation. After transmitting a detected movement, the PIR Camera will not retransmit for one minute. Any further movement detected within this one-minute sleep period will extend the sleep time by another minute. This way, continuous movement in front of PIR Camera will not unduly exhaust the battery.

Double Knock Function

- The PIR Camera has a double knock function. If the double knock function is enabled, the PIR Camera will report an alarm to the control panel only if two movements are detected within 10 seconds. If the double knock function is disabled, the PIR Camera will report an alarm to the control panel when a movement is detected.

Tamper Protection

- The PIR Camera is protected by an internal tamper switch which is compressed when the PIR Camera is hooked onto the mounting bracket. When the PIR Camera is removed from the mounting bracket, the tamper switch will be activated and the PIR Camera will send a tamper open signal to the control panel to remind the user of this condition.

DIP Switch Position Table

The function of each DIP Switch is listed in the table below. The DIP Switch is either ON or OFF. Top position indicates ON and bottom position indicates OFF.

DIP	Position	Function	DIP	DIP	Sensitivity Level
Switch 1	ON OFF	Test Mode Normal Mode (default)	Switch 5	Switch 6	
Switch 2	ON OFF	LED Indicator Enable (default) LED Indicator Disable	ON	ON	Low; 75 cm/60 kg pet (default)
Switch 3	ON OFF	PIR Camera facing a wall PIR Camera facing an open space (no wall withing 10m default)	ON	OFF	High; 50 cm / 35 kg pet
Switch 4	ON OFF	PIR Camera facing a lawn (default) PIR Camera facing a concrete/stone ground	OFF	ON	Reserved
Switch 7	ON OFF	Double Knock Enable (default) Douple Knock Disable			
Switch 8	ON OFF	Pet Immune Enable (default) Pet Immune Disable			

NOTE: After changing Dip Switch settings, please re-power on the PIR Camera for it to operate with new Dip Switch Settings.

Battery

- The PIR Camera uses four AAL91 lithium batteries as its power source.
- The PIR Camera features low battery voltage detection. When low battery is detected, a low battery signal will be sent to the Control Panel along with regular signal transmissions for the Control Panel to display the status accordingly.
- To Change Battery:
 - Step 1: Navigate the Control Panel into Programming mode.
 - Step 2: Remove the PIR Camera from mounting position and loosen the back cover fixing screw.
 - Step 3: Insert a flat-head screwdriver to the caved-in area of the back cover and then carefully lift the back cover.
 - Step 4: Remove the old batteries and press the test button twice to fully discharge.
 - Step 5: Insert four new AAL91 lithium batteries.
 - Step 6: Press the test button once. A battery normal signal will be sent to the Control Panel.
 - Step 7: Screw back the back cover.
 - Step 8: Mount back the PIR Camera to mounting location.
 - Step 10: Navigate the Control Panel to exit Programming mode and return to operation mode. The procedure is complete.

Getting Started

- Loosen the bottom fixing screw, and then insert a flat-head screwdriver to lift the back cover.
- Based on your needs, set Sensitivity Switch as shown in DIP Switch Position Table.
- Insert four AAL91 lithium batteries into the battery holder taking care to connect the polarity correctly.
- Put the Control Panel into learning mode, refer to Control Panel manual for details.
- Press and hold the Test button for 3 seconds to send a learn code, and then release the button when Red LED lights up. The LED will be on for 20 seconds, indicating that the PIR Camera is in learning mode.
- If the Control Panel receives the signal from the PIR Camera, it will display the information accordingly. Within 20 seconds when the LED of the PIR Camera is on, select the PIR Camera on the Control Panel Webpage and click “add” to include it into the Panel. Refer to the Control Panel manual for details.
- When the PIR Camera receives acknowledgement from the Control Panel, the LED of the PIR Camera will flash 6 times and then turn off to indicate successful learning.
- After the PIR Camera is learnt-in, put the Control Panel into Walk Test mode. Hold the PIR Camera in the desired location, and press the Test button to confirm this location is within the signal range of the Control Panel.
- When you are satisfied that the PIR Camera works in the chosen location, you can proceed to installation.

NOTE:

- After the Test button is held and pressed for 3 seconds, the LED of the PIR Camera will be on for 20 seconds. If the PIR Camera does not receive acknowledgement from the Control Panel within this 20-second period, the LED will turn off. The Test button needs to be pressed and held for 3 seconds again to resend a learning code.
- If the PIR Camera already exists in a Control Panel system, you will need to first remove the PIR Camera from the Control Panel before you can learn it into a different Control Panel.
- Walk Test should be conducted to confirm proper operation and coverage of the PIR.

Edit PIR Camera Operation Area

Follow instruction below to change PIR Camera Area in the Control Panel

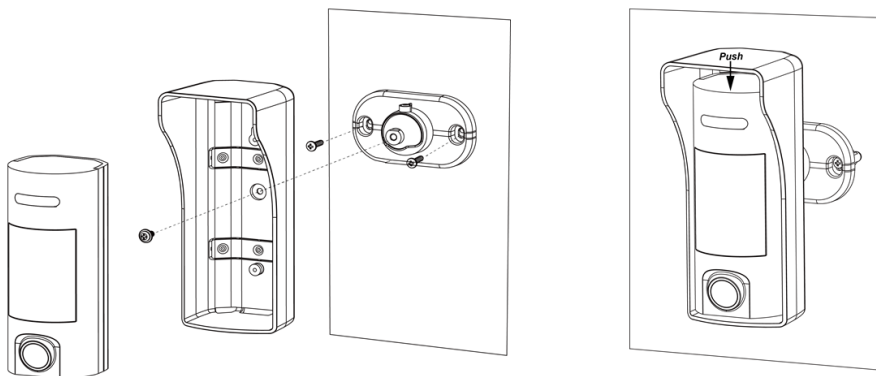
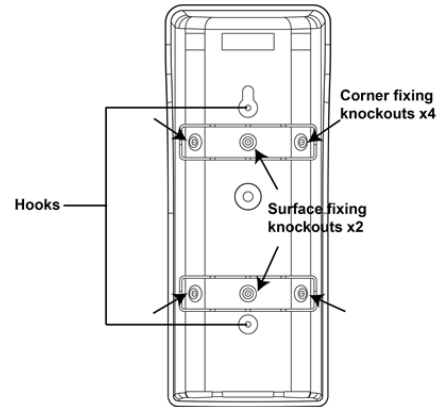
- 1) Use the panel Edit Device function to change PIR Camera area setting.
- 2) Press and hold the Test button for 3 seconds on the PIR Camera to send a signal to the panel, and then release the button when the LED lights up.

Mounting and Installation Method

Mounting with mounting bracket:

- The PIR Camera can be mounted on either a flat surface or in a corner situation with fixing screws, plugs, and the mounting bracket provided.
- The provided mounting plate has knockouts, where the plastic is thinner and can be broken for mounting purpose. Two knockouts are for surface fixing and four knockouts are for corner fixing as shown in the picture.
- To mount 862EX-F1 with mounting bracket:
 - 1) Use the mounting bracket as a template to drill holes on the wall for plugs.
 - 2) Push in the plugs and fix the mounting bracket on the wall with the screws.
 - 3) Mount 862EX-F1 with the hooks of the mounting bracket latched on the back cover of the 862EX-F1, and then push downwards until you hear a click sound.

NOTE: Please make sure the PIR Camera is properly hooked onto the mounting bracket, so that the internal tamper switch is fully compressed.



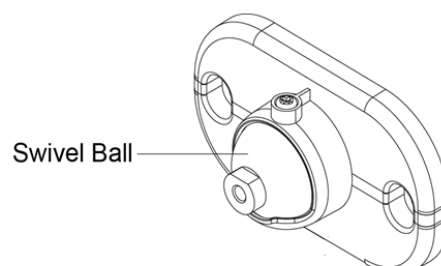
Mounting with mounting bracket and rotating holder:

A rotating holder is provided as a user friendly mounting option. It is comprised of a base to fix to surface, and a swivel ball to fix to mounting bracket and 862EX-F1.

With the rotating holder, the 862EX-F1 can be rotated in any direction to provide optimal viewing angle.

• To mount 862EX-F1 with mounting bracket and rotating holder:

- 1) Fix the rotating holder to the wall with provided screws.
- 2) Fix the mounting bracket on the swivel ball with the fixing screw secured through the foolproof design hole.
- 3) Mount 862EX-F1 with the hooks of the mounting bracket latched on the back cover of the 862EX-F1, and then push downwards until you hear a click sound.
- 4) Rotate the swivel ball to adjust 862EX-F1's detecting angle. (When the angle adjusting screw is half loosen, the swivel ball can still be rotated.)
- 5) When 862EX-F1 is rotated to a position with desired detection angle, you can lock the position by firmly tightening the angle adjusting screw.



Installation Recommendations

It is recommended to install the PIR Camera in the following locations:

- 2M (measured from bottom of the camera) above ground level for best performance.
- The operating temperature is -10° to 45°C.
- In a corner for the widest view.
- Where an intruder would normally move across the PIR Camera's field of view.
- A surface or corner where animals are inaccessible.
- The PIR Camera has a detection range of 10M when mounted 2m above ground.

NOTE:

When PIR Camera is mounted with rotating holder, it will not have the regular detection area (as in below diagram), or the typical pet immune range.

Limitations

- Do not install the PIR Camera completely exposed to direct sunlight.
- Do not install in areas with rapid change of temperature, e.g. air conditioner, heater.
- Avoid large obstacles in the detection area.
- Do not point directly at sources of heat, such as fires and boilers, or install above radiators.
- Clear all light reflecting surfaces from the detection area, as well as water puddles.
- Never attempt to disassemble or modify the unit.

IMPORTANT NOTE:

- Adjust the Dip Switches according to the installation location of the PIR Camera for ideal performance. If Dip Switch settings does not match with installation environment, the PIR Camera's performance will be hindered and may cause either false alarm or inability to detect movement.
- The PIR Camera detects differences between the moving object and the background. If the object is idle (i.e. not moving), the PIR Camera is unable to detect it.
- The PIR Camera has a directional characteristic and is most effective at detecting intruder moving across field of detection. It is less sensitive for detecting motion directly towards the PIR Camera.
- The PIR Camera has about 1M of blind spot under the camera when mounted at 2M high. The blind spot area will enlarge if you mount the PIR Camera higher than 2M, and reduce if lower than 2M.
- Unless required, we suggest keeping the PIR Camera mounting location at 2M for optimum performance. If you change the mounting height, please conduct detection test to make sure the PIR Camera can detect intruder normally at the chosen height.



NookBox

Smart Home Security

For more information visit:
www.getnookbox.com