

Fig. 1 GSM 350 PG2

1. INTRODUCTION

The internal GSM module enables the PowerMaster system to operate over a GSM/GPRS cellular network.

2. INSTALLATION

PowerMaster-10 Control Panel

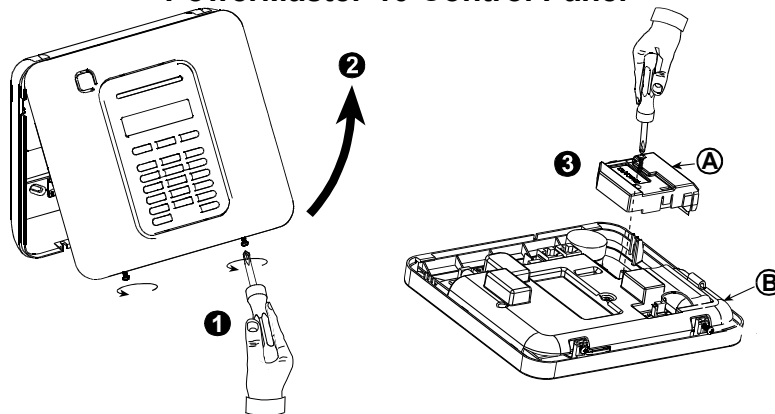
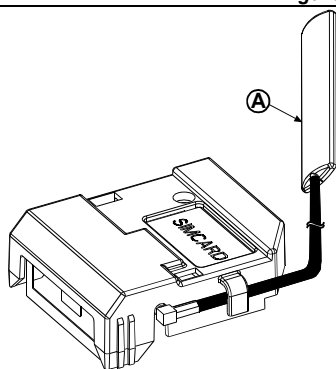


Figure 2 Optional GSM module mounting

1. Release screws
 2. Remove front unit
 3. Plug in the GSM 350 PG2 module and fasten it with the screw
- A. GSM 350 PG2
B. Front unit



Mount the optional GSM external antenna on the desired site surface, connect its connector to the internal GSM module and insert the SIM card

A. External GSM antenna

Fig. 3 Optional external GSM antenna

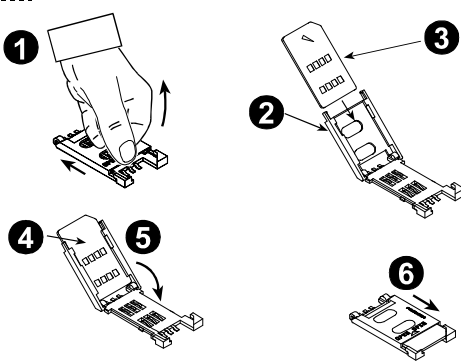


Figure 4 SIM card insertion

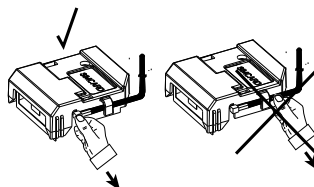
1. Slide top cover.
2. Open cover
3. Align SIM card in cover (note cover orientation)
4. Slide SIM card into cover
5. Rotate cover to close
6. Lock cover to close

IMPORTANT!

Do not insert or remove the SIM card when the control panel is powered by AC power or battery.

Warning!

If external antenna removal is required, hold its connector (not the cable) and pull it out. This prevents damage to the P.C.B.



Compliance with GSM Standards (USA): FCC 47 Part 22 (GSM850) and Part 24 (GSM 1900).
EMC standard: FCC 47 Part 15.
Compliance with European CE Standards: EN301489-3,7, EN60950, EN50136-1 and -2
Compliance with GSM Standards (Europe): Complies with CE standards 3GPP TS 51.010-1, EN 301 511, EN301489-7



W.E.E. Product Recycling Declaration

For information regarding the recycling of this product you must contact the company from which you originally purchased it. If you are discarding this product and not returning it for repair then you must ensure that it is returned as identified by your supplier. This product is not to be thrown away with everyday waste.
 Directive 2002/96/EC Waste Electrical and Electronic Equipment.



VISONIC LTD. (ISRAEL): P.O.B 22020 TEL-AVIV 61220 ISRAEL. PHONE: (972-3) 645-6789, FAX: (972-3) 645-6788
 VISONIC INC. (U.S.A.): 65 WEST DUDLEY TOWN ROAD, BLOOMFIELD CT. 06002-1376. PHONE: (860) 243-0833, (800) 223-0020. FAX: (860) 242-8094
 VISONIC LTD. (UK): UNIT 6 MADINGLEY COURT CHIPPENHAM DRIVE KINGSTON MILTON KEYNES MK10 0BZ. TEL: (0870) 7300800 FAX: (0870) 7300801
 PRODUCT SUPPORT: (0870) 7300830
 VISONIC GmbH (D-A-CH): KIRCHFELDSTR. 118, D-40215 DÜSSELDORF, TEL.: +49 (0)211 600696-0, FAX: +49 (0)211 600696-19
 VISONIC IBERICA: ISLA DE PALMA, 32 NAVE 7, POLIGONO INDUSTRIAL NORTE, 28700 SAN SEBASTIÁN DE LOS REYES, (MADRID), ESPAÑA. TEL (34) 91659-3120.
 FAX (34) 91663-8468. www.visonic-iberica.es
 INTERNET: www.visonic.com
 © VISONIC LTD. 2011 GSM 350 PG2 Installation Instructions D-302800 (REV. 2, 6/11)

