

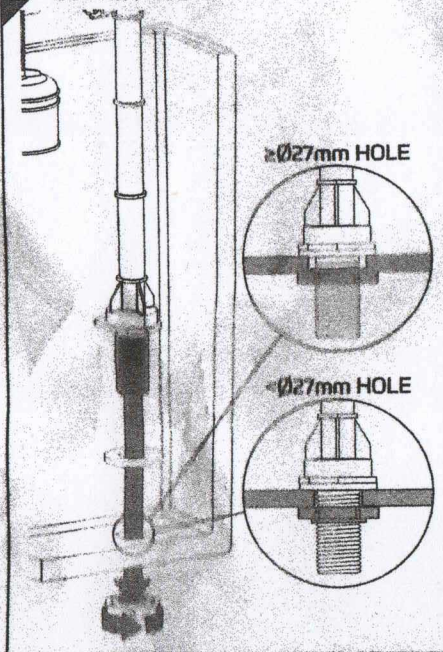
IMPORTANT NOTES

Before installation flush supply pipes and ensure cistern is clean and free from debris. For use in cold water systems only.

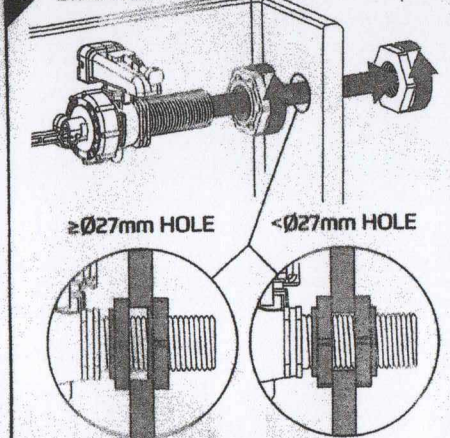
No sealing compound, paste, flux or solvent to be used in contact with plastic or rubber surfaces to avoid damage. Rubber washers will provide adequate seal. PTFE tape may be used on threads. No chemical block/additive to be used in this cistern.

Do not over-tighten plastic fasteners. Hand tight + 1/4 turn is recommended and should provide an adequate seal.

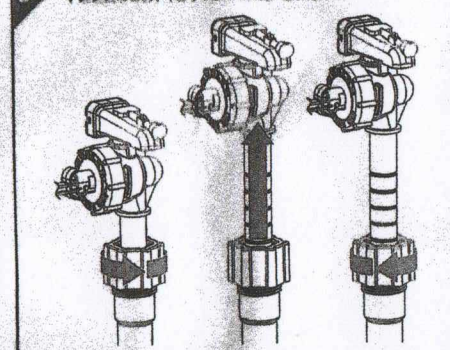
1a BOTTOM INLET



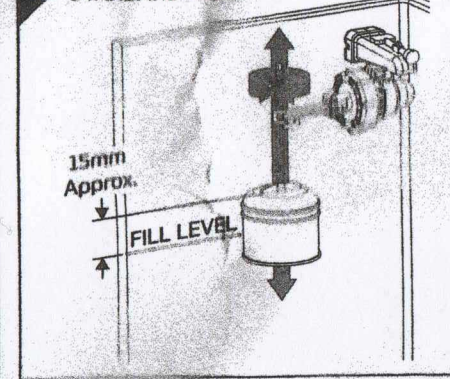
1b SIDE INLET



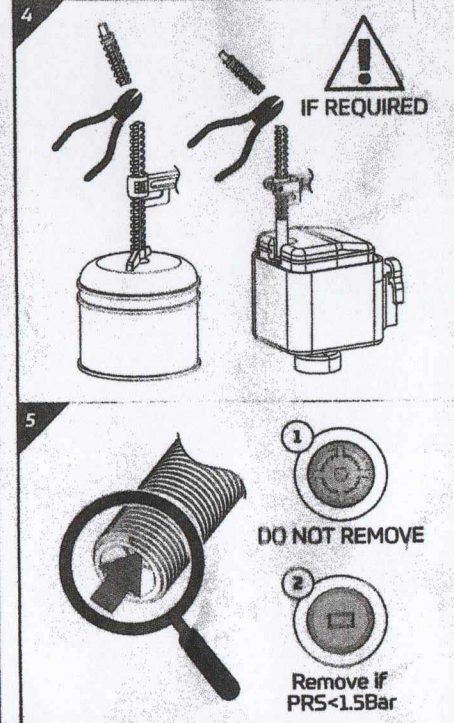
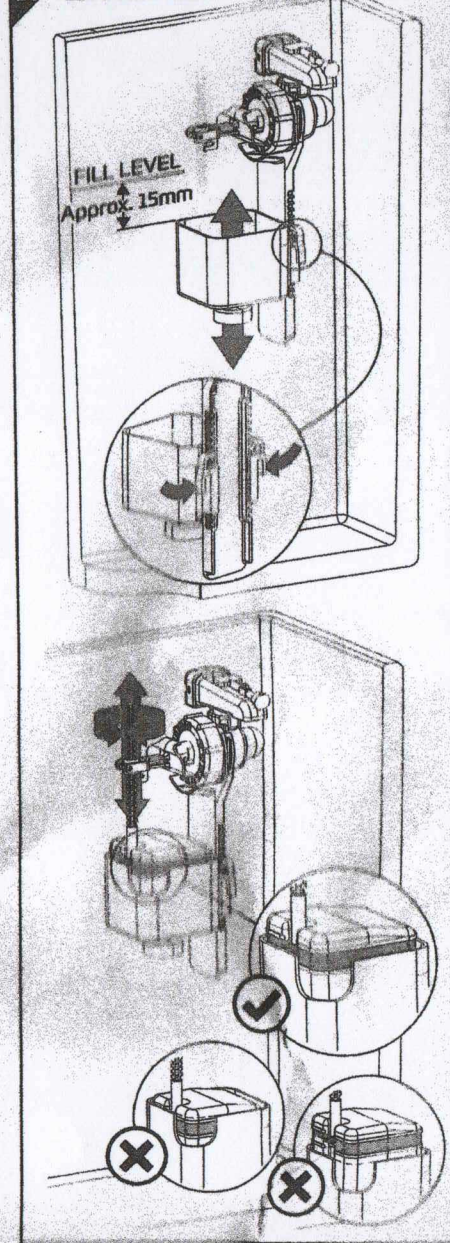
2 TELESCOPIC MODELS ONLY



3a STANDARD FLOAT



3b COMPACT FLOAT



- 6 Final Installation Checklist**
- ~ Check moving components are not obstructed and move freely.
 - ~ Check connections are secure and fixed correctly.
 - ~ Connect and turn on water supply.
 - ~ Check installation for leaks.
 - ~ Check water level aligns to that marked within cistern, fine adjust if necessary.
 - ~ Hold the valve open (float down) to check overflow operation is sufficient.
 - ~ Visit www.tyde.co.uk for service & maintenance information.