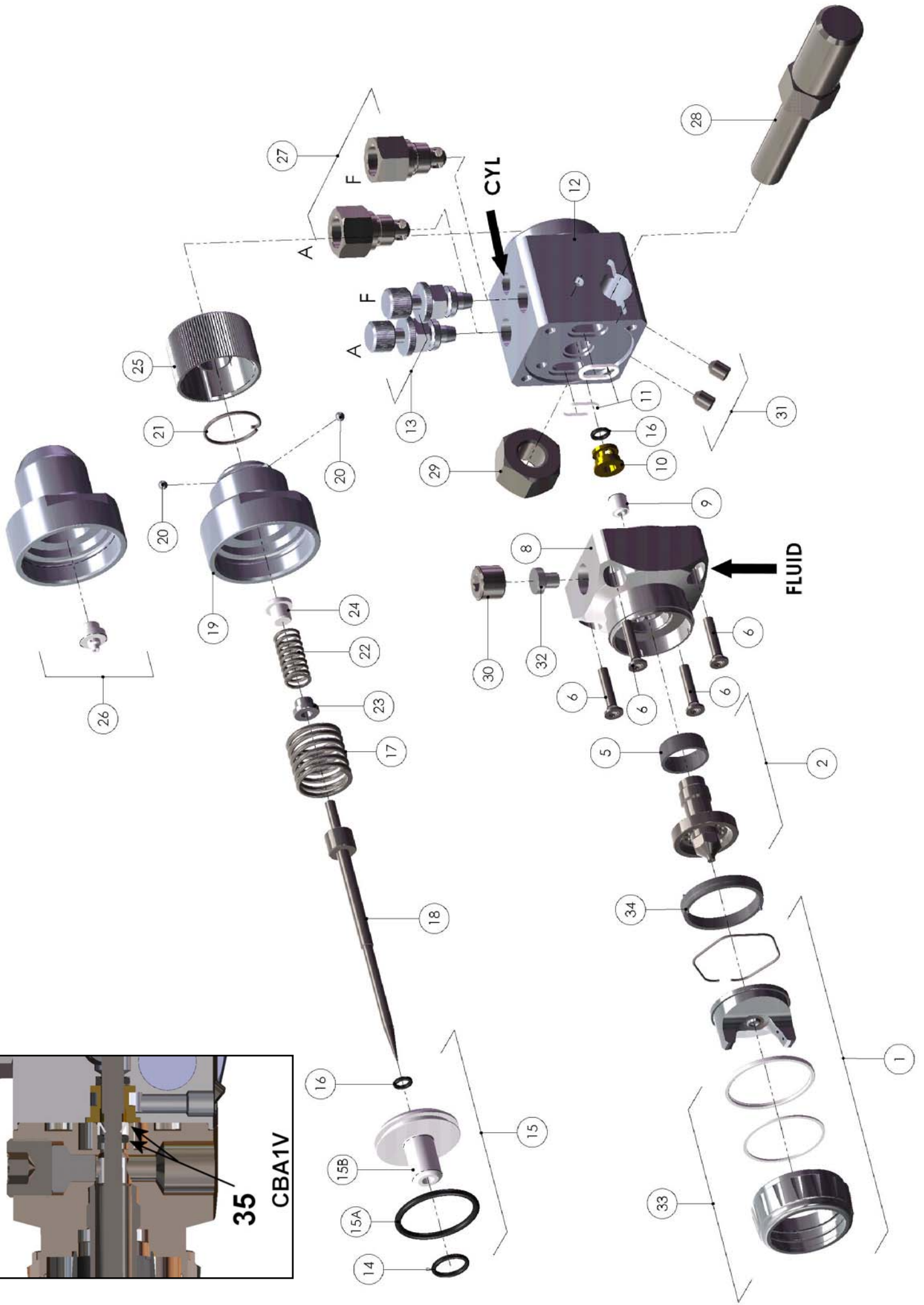
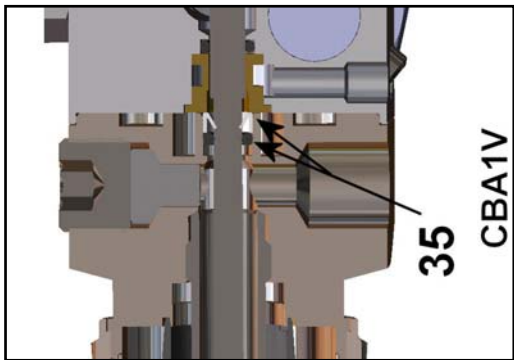


## Operation Manual

### Cobra 1 – Automatic Spray Gun



E	P 1 – 12
---	----------



## LIST OF SPARE PARTS

Rep	Ref	Description	Qty
1	SP-100-xxx-K	Air cap and its retaining ring with seals. See chart	1
2	SP-200S-xx-K SP-259S-xx-K	Tip with air separator seal Ø 0,85 / 1,0 / 1,2 / 1,4 / 1,6 / 1,8 / 2,0 / 2,2 Ø 0,5 / 0,7 / 1,0 for Air cap 590	1
5	SPA-27-K5	Separator Kit of 5	1
6	S-14192-K4	Screw M4 x 25 kit of 4 (Torx 20 )	4
8	SPA-40	Spray head	1
9	SPA-86-K SPA-86-K10	Packing -Kit of 2 Packing -Kit of 10	1
10	SPA-10	Spacer	1
11	SPA-53-K10	Gasket kit of 10	2
12	SPA-1-CBA1	Gun body	1
13	AGG-403	Air valve (Fan and atomising)	2
14	S-28220X-K2	O Ring Kit of 2	1
15	SPA-6X-K	Piston + Seals (16,14,15a)	1
15a	S-28225X-K2	O Ring Kit of 2	1
16	S-28219X-K4	O Ring Kit of 4	2
17	SPA-13	Piston Spring	1
18	SPA-310-xx-K SPA-310P-xxK	Stainless steel needle 0.5/0.7/0,85/1,0/1,2/1,4/1,6/1.8/2.0/2.2 Acetal Tipped Stainless Steel Needle 085-10 & 1,4	1
19	SPA-3	Housing	1
20	SPA-KK-1	Ring and ball for ratchet	1
21			3
22	SPA-31	Spring	1
23	SPA-37	Collar	1
24	SPA-49	Button	1
25	SPA-4	Adjusting knob	1
26*	SPA-7-K	Kit rear housing without adjustment	
27*	SPA-22-K2	Kit of air connector for remote control	
28*	AGGS-33	Mounting Bar	
29*	SS-659-CD	Nut	
30	S-18226	Plug ¼ BSP (No recirculation)	1
31	S-1444-H	M5 Set screw, 8 long	2
32	SPA-26	Plug (No recirculation)	1
33	ADV-403-K	Retaining ring & seals	1
34*	SPA-112	Index ring (Air cap)	1
35	SPA-20V-K5	O Ring kit of 5	1
36	SPA-20-K2	Packing Kit of 2 (Gold)	1

\*Optional spare parts

## AIR CAP CHART AVAILABLE

Air cap	Type	Air Flow (L / min)	At Inlet Pressure (bar)	Fluid Flow (ml / min)	Pattern size (mm)
SP-100-430-K	Conventional	340	3,5	200 - 280	200
SP-100-443-K	Conventional	345	3,0	200 - 300	300
SP-100-497-K	Conventional	510	3,5	200 - 600	380
SP-100-500R-K	H V L P	195	1,0	130 - 190	round
SP-100-505-K	H V L P	385	1,4	130 - 190	270
SP-100-510-K	Trans-Tech	283	2,0	160 - 220	270
SP-100-513-K	Trans-Tech	531	3,0	200 - 600	350
SP-100-522-K	Trans-Tech	410	2,0	200 - 600	350
SP-100-523-K	Trans-Tech	410	2,0	200 - 400	300
SP-100-590-K	Trans-Tech	218	2,0	50 - 150	150
SP-100-591-K	Trans-Tech	218	2,0	50 - 150	150

## STANDARD COMBINATION RECOMMENDED

**CBA1 – 522 - 12** = [Type of gun] – [Air Cap] – [Ø Tip]

Type		Conventional			HVLP		Trans-Tech						
		Air Cap N°	430	443	497	500R	505	510	513	522	523	590	591
TIP Ø mm	0,5											X	X
	0,7											X	X
	0,85			X	X	X	X	X	X				
	1,0	X	X	X		X	X	X	X	X	X		
	1,2	X	X	X	X		X	X	X				
	1,4	X		X		X	X	X	X				
	1,6			X	X	X	X	X	X	X	X		
	1,8	X		X			X	X	X				
	2,0					X			X				
	2,2						X						
<b>Combination « X » are available and fitted as standard.</b>													