

Parts List

8117.390 Master Inox



Table of Contents

Introduction	2
Specially approved products.....	2
Product Description	3
The data plate.....	3
Exploded Views	4
8117.390.....	4
Spare Parts	5
8117.390.....	5

Introduction

Purpose of this manual

The purpose of this manual is to provide necessary information on spare parts and accessories order.

Disclaimer

Always use genuine Grindex parts. The use of other spare parts or accessories can invalidate any claims for warranty or compensation. Grindex does not take any responsibility for damages that are caused by the use of non-original parts. For more information, contact your local sales and service representative.

Data for ordering spare parts

The following information is needed for spare part orders:

- Serial number of the product
- Part number
- Quantity of bulk material, see * in tables

Specially approved products

Qualification of personnel

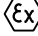
Only Grindex or Grindex-authorized service personnel may undertake repair work on Ex-approved products.

Dimensional accuracy inspection

Spare parts marked with (Ex) after the part number are subject to dimensional accuracy inspection.

Product Description

Products included

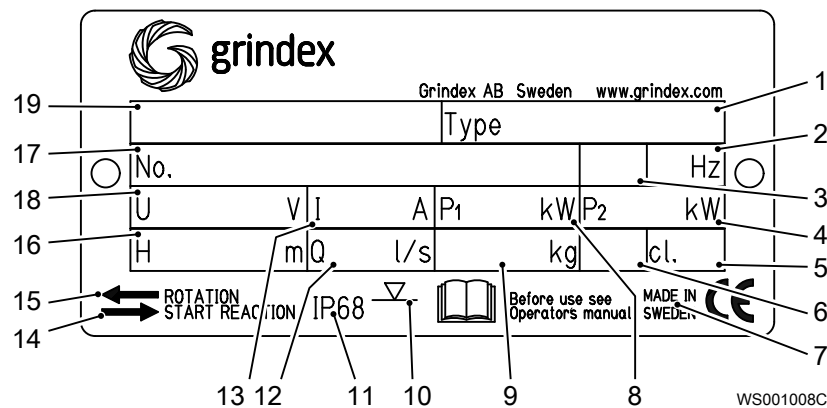
Pump model	Approvals
Master INOX 8117.390	Standard European Norm (EN) <ul style="list-style-type: none"> • ATEX Directive • EN 1127-1, EN 60079-0, EN 60079-15 •  II 3G Ex nA/nC c IIC T1...T4

The data plate

Introduction

The data plate is a metal label located on the main body of the pump. The data plate lists key product specifications.

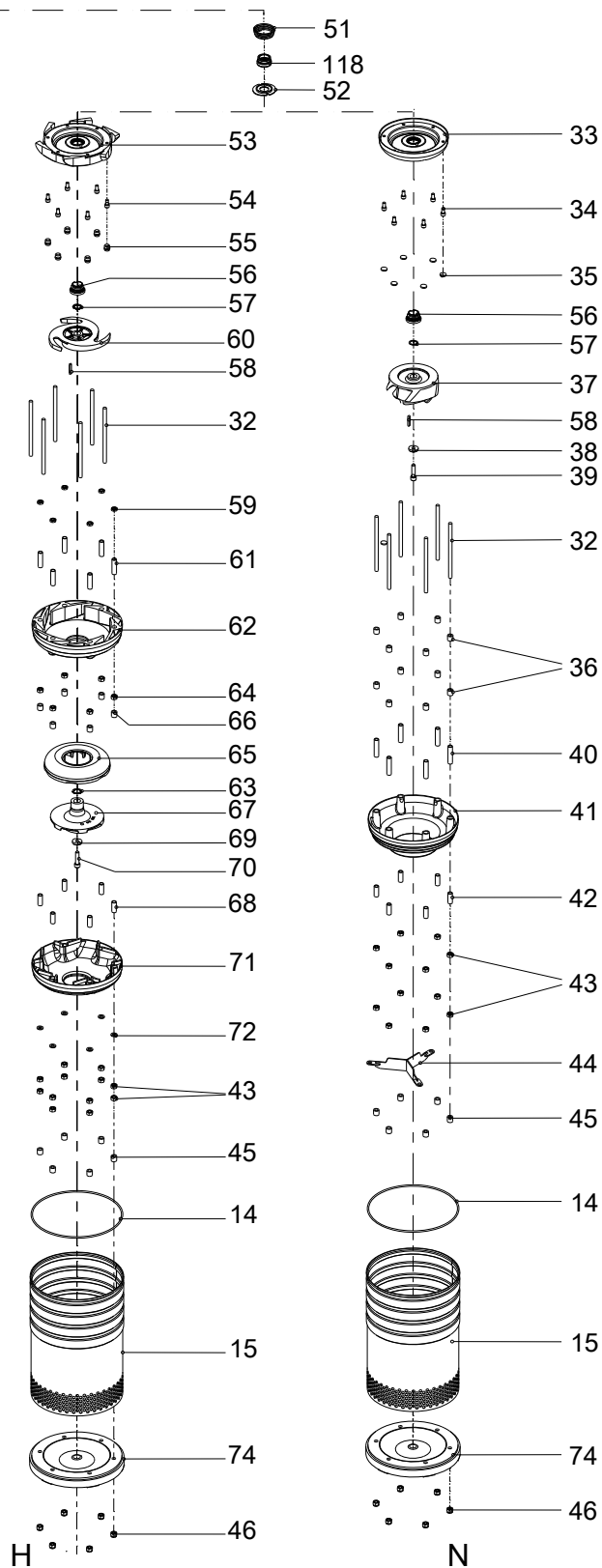
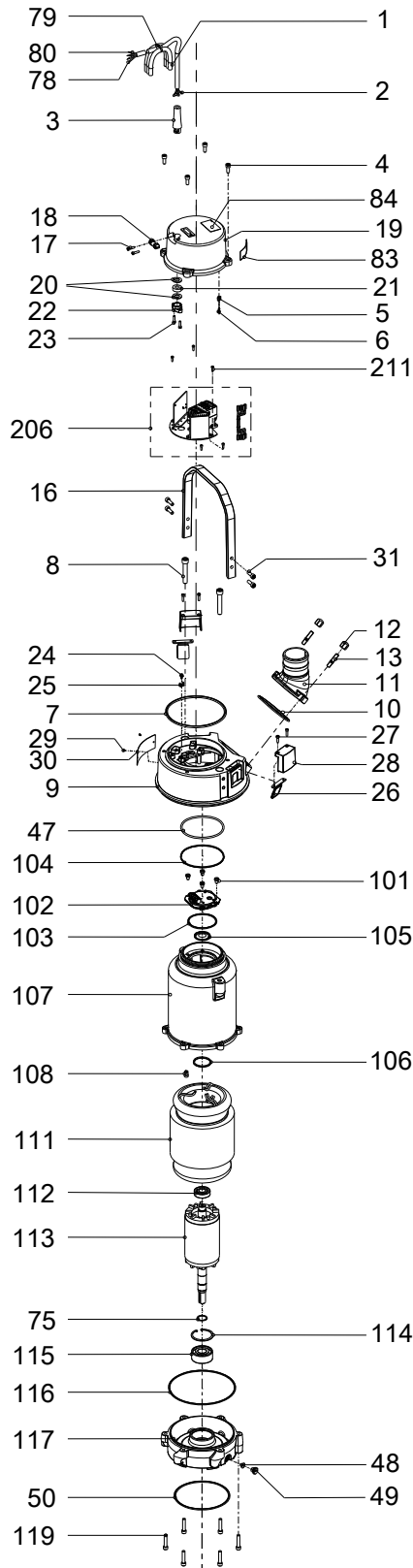
The data plate



1. Pump type number
2. Frequency
3. Phases, type of current
4. Rated shaft power
5. Thermal class
6. Locked rotor code-letter
7. Country of origin
8. Maximum power consumption
9. Product weight
10. Maximum submersion depth
11. Degree of protection
12. Maximum capacity
13. Rated current
14. Direction of the start reaction
15. Direction of the impeller rotation
16. Maximum head
17. Serial number
18. Rated voltage
19. Pump model

Exploded Views

8117.390



20185A_8117_390_expl_view

Spare Parts

8117.390

Pos. No	Part. No	Denomination	Qty/Version
			390
1	131 039	Motor cable subcab Power cable x 1 SUBCAB 4G2,5 12,50 - 13,50mm Starter (Phase shifter) 220V - 575 V Current range: 0 - 16 A	*
1	133 139	Motor cable subcab Starter 50/60 Hz Current range: 0 - 22 A Starter 50/60 Hz Current range: 0 - 48 A Power cable x 1 SUBCAB 4G4 16 - 17mm	*
1	410 065	Motor cable subcab Starter (Phase shifter) 220V - 575 V Current range: 0 - 16 A Power cable x 1 SUBCAB 14AWG/4 14,20 - 15,20mm	*
2	50 040 04	Flat pin sleeve 1-2.5MM2	4
2	50 040 05	Insulating sleeve 0.5-6 MM2	4
2	50 040 07	Flat pin sleeve 2.5-6MM2	4
3	50 428 01	Bending protection SUBCAB 4G2,5	1
3	50 428 03	Bending protection SUBCAB 4G4	1
3	50 428 02	Bending protection SUBCAB 14AWG/4	1
4	50 021 33	Hex.socket hd screw M8X20-A4-80	4
5	50 119 00	Flat pin sheet	1
6	50 018 04	Hex.socket hd screw M4X6- A4-70	1
7	50 037 22	O-ring 159.3X5.7 FPM	1
8	50 023 00	Hex.socket hd screw M12X70-A4-70	2
9	50 737 00	Main cover	1
10	50 037 23	O-ring 104.14X5.34 FPM	1
11	50 732 00	Discharge connection DN 75 Hose	1
11	50 732 01	Discharge connection DN 75 Thread : ISO G3A Outer	1
11	50 732 02	Discharge connection DN 75 Thread : NPT 3-8 Outer	1
11	50 734 00	Discharge connection DN 100 Hose	1

Pos. No	Part. No	Denomination	Qty/Version
			390
11	50 734 01	Discharge connection DN 100 Thread : ISO G4A Outer	1
11	50 734 02	Discharge connection DN 100 Thread : NPT 4-8 Outer	1
12	50 022 25	Acorn nut	2
13	50 022 21	Stud	2
14	50 037 24	O-ring 259.3X3.0 FPM	1
15	50 062 19	Outer casing N	1
15	50 062 18	Outer casing H	1
16	50 721 00	Lifting handle	1
17	50 019 00	Hex.socket hd screw M5X18-A4-70	2
18	50 725 00	Cable clip	1
19	50 708 00	Entrance cover	1
20	50 016 14	Plain washer 14.5X26.5X2- Cable entry (12)-14mm A4-70	2
20	50 016 15	Plain washer 16.5X26.5X2- Cable entry (14)-16mm A4-70	2
20	50 016 16	Plain washer 18.5X26.5X2- (16)-18mm A4-70	2
21	50 015 01	Seal sleeve Cable entry (12)-14mm	1
21	50 015 02	Seal sleeve Cable entry (14)-16mm	1
21	50 015 03	Seal sleeve (16)-18mm	1
22	50 726 00	Entrance flange	1
23	50 019 00	Hex.socket hd screw M5X18-A4-70	2
24	133 525	Earthing screw	1
25	50 119 00	Flat pin sheet	1
26	50 013 00	Air release valve	2
27	50 019 00	Hex.socket hd screw M5X18-A4-70	4
28	50 722 00	Air release valve	2
29	410 393	Drive screw 4X5-A4	2
30	50 888 00	Plate-blank	1
31	50 021 30	Hex.socket hd screw M8X25-A4-80	4
32	50 022 19	Stud	6
33	50 578 06	Oil housing coated	1
34	50 021 32	Hex.socket hd screw M8X16-A4-70	6
35	140 114	Protective washer	6
36	50 316 01	Sleeve	12

Pos. No	Part. No	Denomination	Qty/Version
			390
37	50 801 00	Impeller N 50Hz	1
37	50 801 01	Impeller N 60Hz	1
38	50 022 27	Plain washer 10.5X28X6	1
39	133 148	Hex.socket hd screw M10X25	1
40	50 317 05	Spacing sleeve	6
41	50 321 04	Diffuser coat.	1
42	50 317 03	Spacing sleeve	6
43	50 022 22	Hexagon nut M10-A4-70	12
44	50 319 02	Antirootation device	1
45	50 316 01	Sleeve N	6
45	50 316 02	Sleeve H	6
46	50 131 01	Lock nut M10-A4-70	6
47	50 037 07	O-ring 117.5X5.34 FPM	1
48	50 037 13	O-ring 12.37X2.62 FPM	1
49	50 705 00	Inspection screw	1
50	50 037 25	O-ring 156X3 FPM	1
51	50 559 01	Compression spring	1
52	50 740 00	Plate	1
53	50 578 07	Oil housing coated	1
54	50 021 32	Hex.socket hd screw M8X16-A4-70	6
55	133 060	Protective plug	6
56	50 789 00	Mechanical seal	1
57	50 750 00	Adjusting washer	10
58	50 205 05	Parallel key 5X5X35- A4-220HB	1
59	50 022 24	Hexagon nut M10-A4-70	6
60	50 800 00	Impeller H 50Hz	1
60	50 800 02	Impeller H 60Hz	1
61	50 317 04	Spacing sleeve	6
62	50 320 09	Diffuser coat.	1
63	50 343 01	Adjusting washer	10
64	50 022 22	Hexagon nut M10-A4-70	6
65	50 332 03	Diffuser coat.	1
66	50 316 01	Sleeve	6
67	50 802 00	Impeller H 50Hz	1
67	50 802 01	Impeller H 60Hz	1
68	50 317 03	Spacing sleeve	6
69	50 022 27	Plain washer 10.5X28X6	1

Pos. No	Part. No	Denomination	Qty/Version
			390
70	50 022 28	Hex.socket hd screw M10X40-A4-70	1
71	50 141 07	Diffuser coat.	1
72	50 022 30	Plain washer 8-A4-140HV	6
73	50 131 01	Lock nut M10-A4-70	6
74	50 720 00	Strainer bottom	1
75	130 818	Retaining ring 25-SPRING STEEL	1
76	50 040 05	Insulating sleeve 0.5-6 MM2	8
76	50 040 05	Insulating sleeve 0.5-6 MM2	5
77	50 040 04	Flat pin sleeve 1-2.5MM2	6
77	50 040 09	Flat pin sleeve 0.75-1.5MM2	2
77	50 040 09	Flat pin sleeve 0.75-1.5MM2	8
77	50 040 09	Flat pin sleeve 0.75-1.5MM2	5
78	50 221 02	End sleeve 2.5 MM2; L=7 MM	4
78	50 221 03	End sleeve 4 MM2; L=10 MM	4
79	105 839	Cable tie 98X2.5 MM	1
80	-	Marking tape	1
81	410 053	Oil ISO VG 32	*
82	410 139	Insulating hose D=12 MM	*
83	50 992 00	Sticker CUT HAZARD	1
84	51 735 00	Sticker	2
84	51 735 01	Sticker	2
85	51 622 00	Connection plate	1
101	50 021 31	Slotted head screw M8X10- A4	4
102	50 009 02	Connection term boar	1
102	50 009 01	Connection term boar	1
103	50 037 27	O-ring 74.61X3.53 FPM	1
104	50 037 09	O-ring 119.5X3 FPM	1
105	140 326	Bearing cover	1
106	50 037 26	O-ring 47.2X3.53 FPM	1
107	50 710 00	Stator housing	1
108	410 034	Closed-end splice 3-6(AWG 12-10) L=18	3

Pos. No	Part. No	Denomination	Qty/Version
			390
111	50 300 07	Stator 19-14-2a 6-leads 50 Hz 2-poles 380V-415V D P2=8kW	1
111	50 300 09	Stator 19-14-2a 6-leads 50 Hz 2-poles 500V-550V D P2=8kW	1
111	50 300 14	Stator 19-14-2a 9-leads 60 Hz 2-poles 440V-480V YSER 220V-240V Y// P2=9,70kW/ 13hp	1
111	50 300 16	Stator 19-14-2a 6-leads 60 Hz 2-poles 575V-600V D P2=9,70kW/ 13hp	1
112	140 337	Ball bearing 20X47X14	1
113	50 302 01	Shaft unit	1
114	140 064	Retaining ring SGH 62	1
115	140 059	Ball bearing 25X62X25.4	1
116	50 037 17	O-ring 183.5X3 FPM	1
117	50 712 00	Bearing holder	1
118	50 534 00	Mechanical seal	1
119	50 021 29	Hex.socket hd screw M8X40-A4-70	6
120	-	Sticker	1
206	51 831 00	Contactor unit 50Hz 380V - 415V	1
206,1	50 356 00	Mounting plate	1
206,2	410 814	Contactor	1
206,3	51 511 05	Motor protector SMART	1
206,5	50 018 04	Hex.socket hd screw M4X6- A4-70	2
206,6	50 018 00	Hex.socket hd screw M4X12-A4-70	2
206,7	50 018 00	Hex.socket hd screw M4X12-A4-70	2
206,8	50 119 00	Flat pin sheet	2
206,11	50 509 00	Cable set	1
206,12	50 035 03	Cable unit	1
206	51 831 01	Contactor unit 50Hz 500V	1
206,1	50 356 00	Mounting plate	1
206,2	410 812	Contactor	1
206,3	51 511 05	Motor protector SMART	1
206,5	50 018 04	Hex.socket hd screw M4X6- A4-70	2
206,6	50 018 00	Hex.socket hd screw M4X12-A4-70	2
206,7	50 018 00	Hex.socket hd screw M4X12-A4-70	2

Pos. No	Part. No	Denomination	Qty/Version
			390
206,8	50 119 00	Flat pin sheet	2
206,10	50 509 00	Cable set	1
206,11	50 035 03	Cable unit	1
206	51 831 06	Contactor unit	1
206,1	50 356 00	Mounting plate	1
206,2	410 891	Contactor	1
206,3	51 511 05	Motor protector SMART	1
206,4	50 018 00	Hex.socket hd screw M4X12-A4-70	2
206,5	50 018 00	Hex.socket hd screw M4X12-A4-70	2
206,6	50 018 04	Hex.socket hd screw M4X6- A4-70	2
206,7	50 119 00	Flat pin sheet	2
206,9	50 509 00	Cable set	1
206,10	50 035 03	Cable unit	1
206	51 831 03	Contactor unit	60Hz 460V 1
206,1	50 356 00	Mounting plate	1
206,2	410 814	Contactor	1
206,3	51 511 06	Motor protector SMART	1
206,5	50 018 04	Hex.socket hd screw M4X6- A4-70	2
206,6	50 018 00	Hex.socket hd screw M4X12-A4-70	2
206,7	50 018 00	Hex.socket hd screw M4X12-A4-70	2
206,8	50 119 00	Flat pin sheet	2
206,11	50 509 00	Cable set	1
206,12	50 035 03	Cable unit	1
206	51 831 04	Contactor unit	60Hz 575V 1
206,1	50 356 00	Mounting plate	1
206,2	410 891	Contactor	1
206,3	51 511 06	Motor protector SMART	1
206,5	50 018 04	Hex.socket hd screw M4X6- A4-70	2
206,6	50 018 00	Hex.socket hd screw M4X12-A4-70	2
206,7	50 018 00	Hex.socket hd screw M4X12-A4-70	2
206,8	50 119 00	Flat pin sheet	2
206,11	50 509 00	Cable set	1
206,12	50 035 03	Cable unit	1

Pos. No	Part. No	Denomination	Qty/Version
			390
206	51 727 04	Contacteur unit 50Hz 380V - 415V Y/D	1
206,1	50 078 02	Mounting plate	1
206,2	410 812	Contacteur	2
206,3	50 148 02	Time relay	1
206,4	51 511 05	Motor protector SMART	1
206,5	50 018 00	Hex.socket hd screw M4X12-A4-70	4
206,6	50 018 04	Hex.socket hd screw M4X6- A4-70	2
206,7	50 119 00	Flat pin sheet	2
206,8	50 018 00	Hex.socket hd screw M4X12-A4-70	2
206,9	50 330 02	Cable set	1
206,10	50 331 02	Cable set	1
206,11	50 509 00	Cable set	1
206,12	-	Wiring diagram	1
206,13	410 871	Interlock unit	1
211	410 379	Hex.socket hd screw M4X6- A4-70	3
300	50 102 00	Phase shifter Starter (Phase shifter) 220V - 575 V Current range: 0 - 16 A	1
300	50 102 01	Phase shifter Starter 50/60 Hz Current range: 0 - 22 A	1
300	50 102 02	Phase shifter Starter 50/60 Hz Current range: 0 - 48 A	1
400	50 100 01	Plug contact 380V - 415 V Supply connection CEE 5-PLUG 32A	1
400	50 100 10	Plug contact 480V - 500 V - 16 A	1
400	50 100 11	Plug contact 480V - 500 V - 32 A	1
800	50 085 12	O-ring kit	1
801	-	Zinc anode kit	1
900	51 173 00	Basic repair kit	1



Turoteknikk Drift AS, Hildertunet 2, N-1341 Slepden, Norway
+47 67806300—mail@turoteknikk.no—www.turoteknikk.no



Grindex
Gesällvägen 33
174 87 Sundbyberg
Sweden
Tel: +46-8-606 66 00
Fax: +46-8-745 53 28
www.grindex.com

Visit our Web site for the latest version of this document
and more information

The original instruction is in English. All non-English
instructions are translations of the original instruction.

© 2014 Grindex