

Basic Pedestal

Standard Centrifugal Pump

Model 6516A60-B

Size 18" x 16"



PUMP SPECIFICATIONS

Size: 18" x 16" (457 mm x 406 mm) Flanged.

Casing: Ductile Iron 65-45-12.

Maximum Casing Pressure 136 psi (938 kPa).*

Enclosed Type, Four Vane Impeller: Ductile Iron 80-55-06.

Handles 4" (101,6 mm) Diameter Spherical Solids.

Suction Spool: Gray Iron 30.

Impeller Shaft: Alloy Steel 4150.

Replaceable Wear Ring: Ductile Iron 65-45-12.

Pedestal: Gray Iron 30.

Seal Plate: Ductile Iron 65-45-12.

Shaft Sleeve: Stainless Steel 303/304.

Radial Bearing: Open Single Row Straight Roller.

Radial/Thrust Bearing: Open Double Row Tapered Roller.

Bearing and Seal Cavity Lubrication: SAE 30 Non-Detergent Oil.

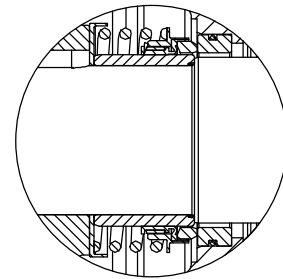
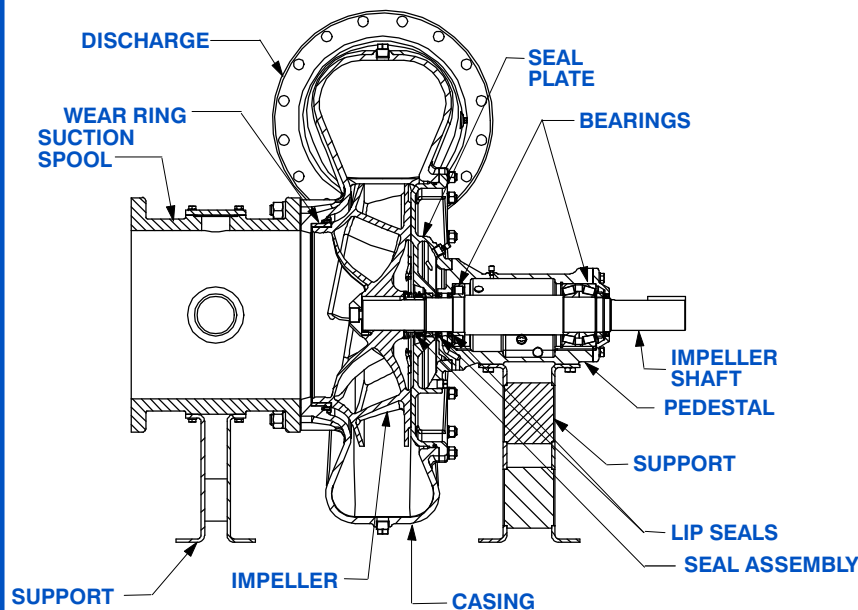
Gaskets: Vegetable Fiber and Buna-N.

O-Rings: Buna-N.

Hardware: Standard Plated Steel.

Bearing and Seal Cavity Oil Level Sight Gauges.

**Consult Factory for Applications Exceeding Maximum Pressure and/or Temperature Indicated.*



SEAL DETAIL

Mechanical, Oil-Lubricated. Silicon Carbide Rotating Face and Stationary Seat. Fluorocarbon Elastomers (DuPont Viton® or Equivalent). Stainless Steel 316 Cage and Stainless Steel 18-8 Spring. Maximum Temperature of Liquid Pumped 160°F (71°C).*



GORMAN-RUPP PUMPS

www.grpumps.com

Specifications Subject to Change Without Notice



Turoteknikk Drift AS, Hildertunet 2, N-1341 Slependen, Norway
+47 67806300—mail@turoteknikk.no—www.turoteknikk.no

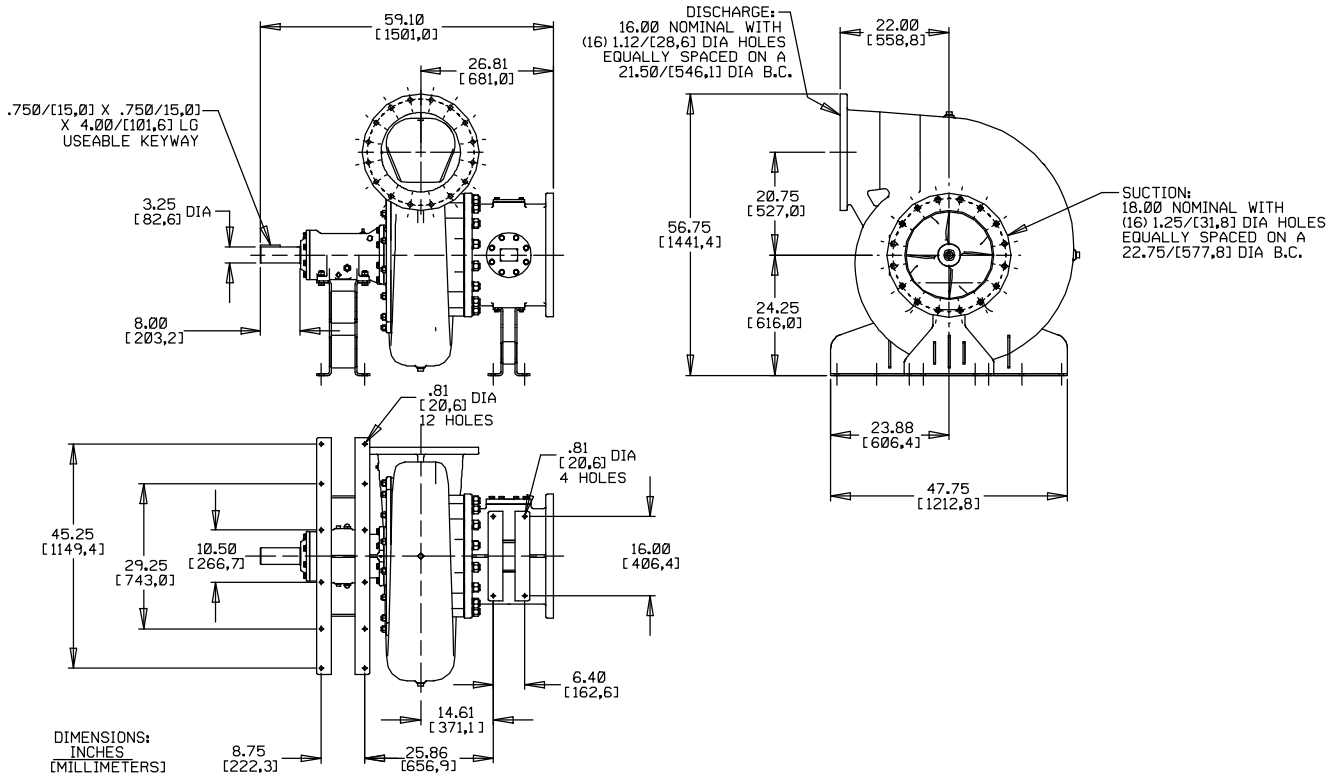
Specification Data

SECTION 65, PAGE 800

APPROXIMATE
DIMENSIONS and WEIGHTS

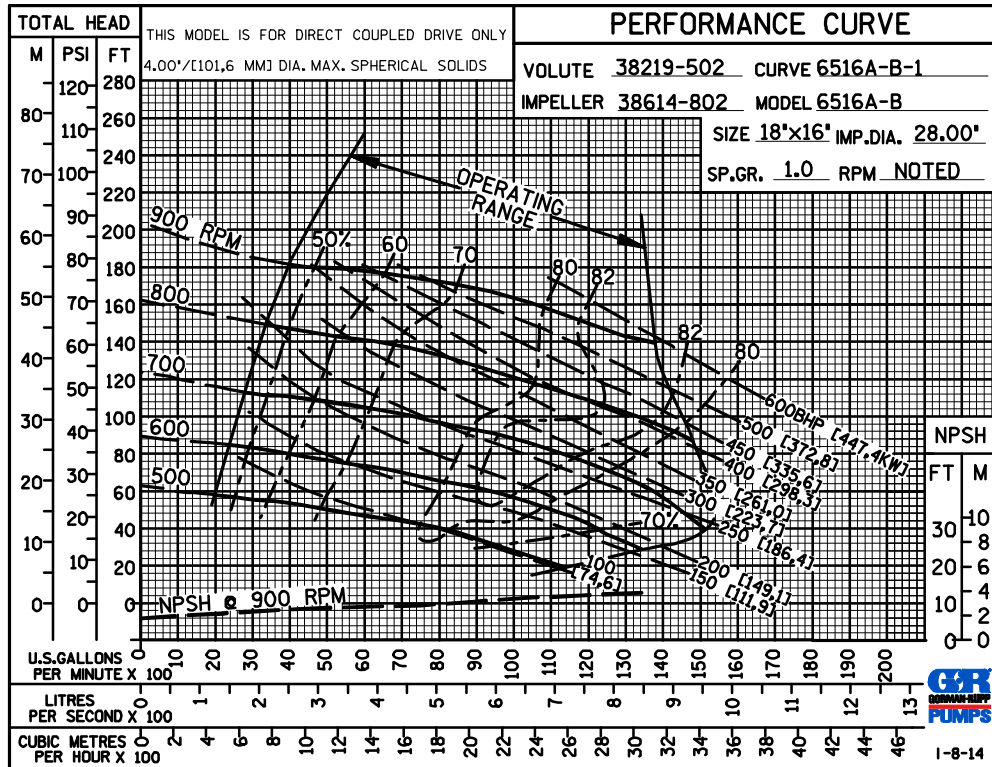
NET WEIGHT:
SHIPPING WEIGHT:
EXPORT CRATE:

2345 LBS. (1063,7 KG.)
2645 LBS. (1199,7 KG.)
104 CU. FT. (2,9 CU. M.)



DIMENSIONS:
INCHES
[MILLIMETERS]

**MULTI-SPEED
CURVE
PERFORMANCE
BASED ON
WATER**



GORMAN-RUPP PUMPS

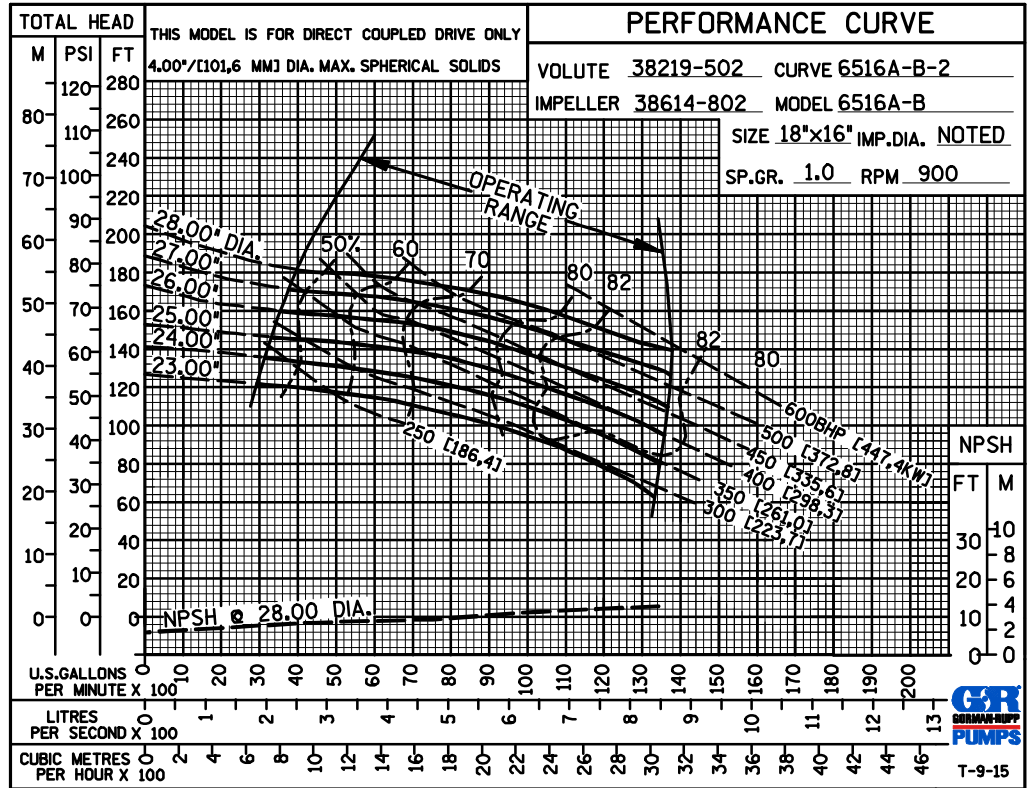
www.grpumps.com

Specifications Subject to Change Without Notice

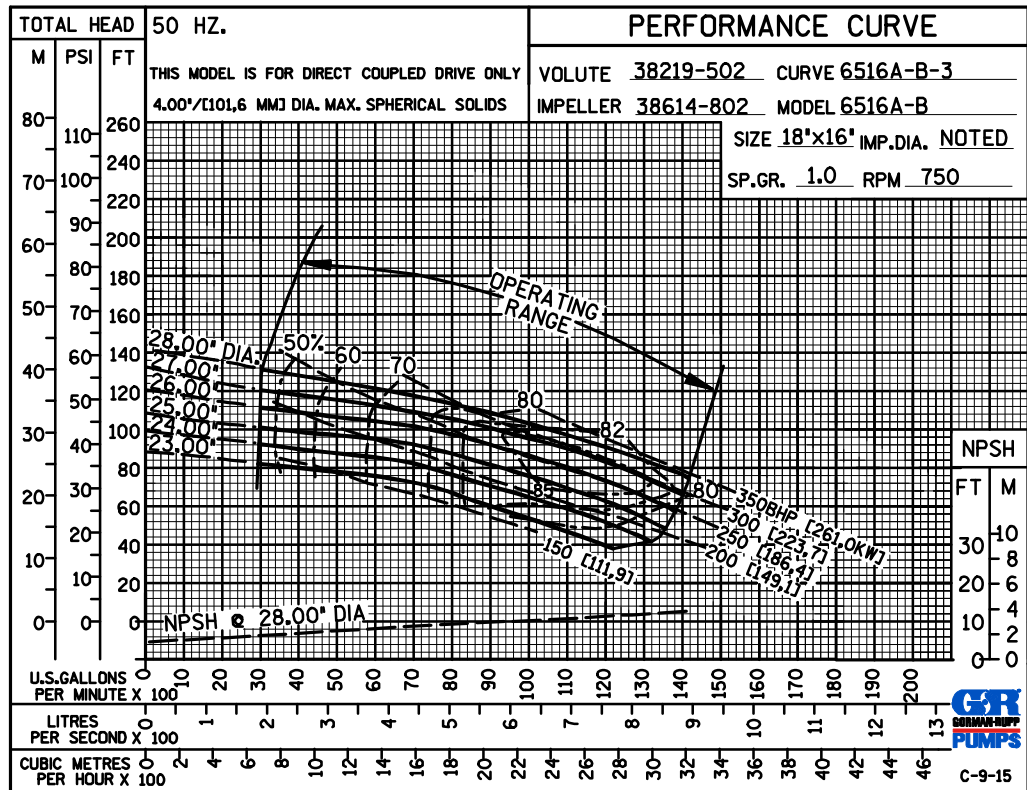


Turoteknikk Drift AS, Hildertunet 2, N-1341 Slependen, Norway
+47 67806300—mail@turoteknikk.no—www.turoteknikk.no

60 HERTZ
PERFORMANCE
BASED ON
WATER
TRIMMED
IMPELLER



50 HERTZ
PERFORMANCE
BASED ON
WATER
TRIMMED
IMPELLER



GORMAN-RUPP PUMPS

www.grpumps.com

Specifications Subject to Change Without Notice



Turoteknikk Drift AS, Hildertunet 2, N-1341 Slependen, Norway
+47 67806300—mail@turoteknikk.no—www.turoteknikk.no