

Basic Pedestal

Standard Centrifugal Pump

Model 6514B60-B

Size 14" x 14"



PUMP SPECIFICATIONS

Size: 14" x 14" (356 mm x 356 mm) Flanged.

Casing: Ductile Iron 65-45-12.

Maximum Casing Pressure 100 psi (690 kPa).*

Enclosed Type, Four Vane Impeller: Ductile Iron 80-55-06.

Handles 3-1/2" (88,9 mm) Diameter Spherical Solids.

Suction Spool: Gray Iron 30.

Impeller Shaft: Alloy Steel 4150.

Replaceable Wear Ring: Ductile Iron 65-45-12.

Pedestal: Gray Iron 30.

Seal Plate: Ductile Iron 65-45-12.

Shaft Sleeve: Stainless Steel 303/304.

Radial Bearing: Open Roller.

Thrust Bearing: Open Double Ball.

Bearing and Seal Cavity Lubrication: SAE 30 Non-Detergent Oil.

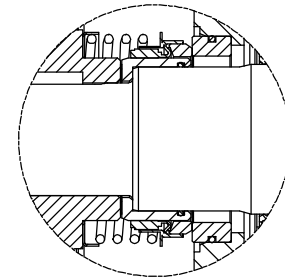
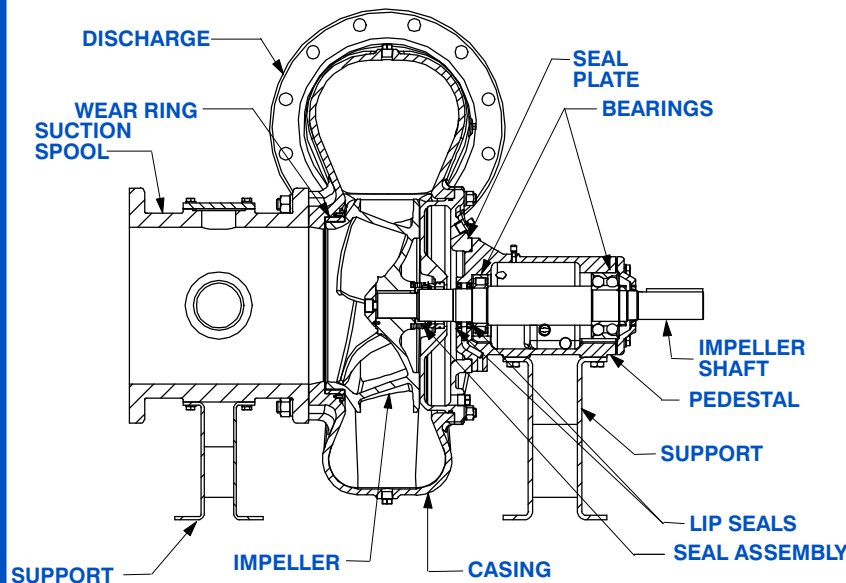
Gaskets: Vegetable Fiber, Red Rubber and Buna-N.

O-Rings: Buna-N.

Hardware: Standard Plated Steel.

Bearing and Seal Cavity Oil Level Sight Gauges.

**Consult Factory for Applications Exceeding Maximum Pressure and/or Temperature Indicated.*



SEAL DETAIL

Open Double Mechanical, Oil-Lubricated. Silicon Carbide Rotating Face and Stationary Seat. Fluorocarbon Elastomers (DuPont Viton® or Equivalent). Stainless Steel 316 Cage and Stainless Steel 18-8 Spring. Maximum Temperature of Liquid Pumped 160°F (71°C).*



GORMAN-RUPP PUMPS

www.grpumps.com

Specifications Subject to Change Without Notice



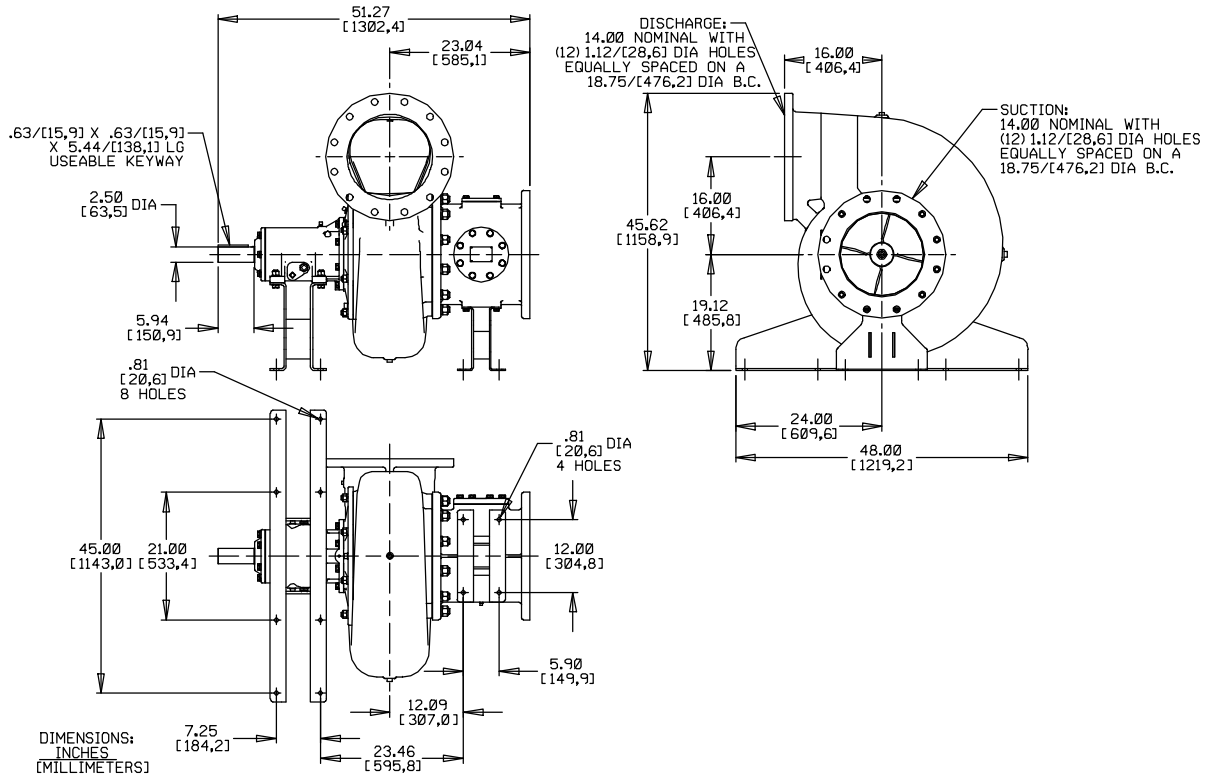
Turoteknikk Drift AS, Hildertunet 2, N-1341 Slependen, Norway
+47 67806300—mail@turoteknikk.no—www.turoteknikk.no

Specification Data

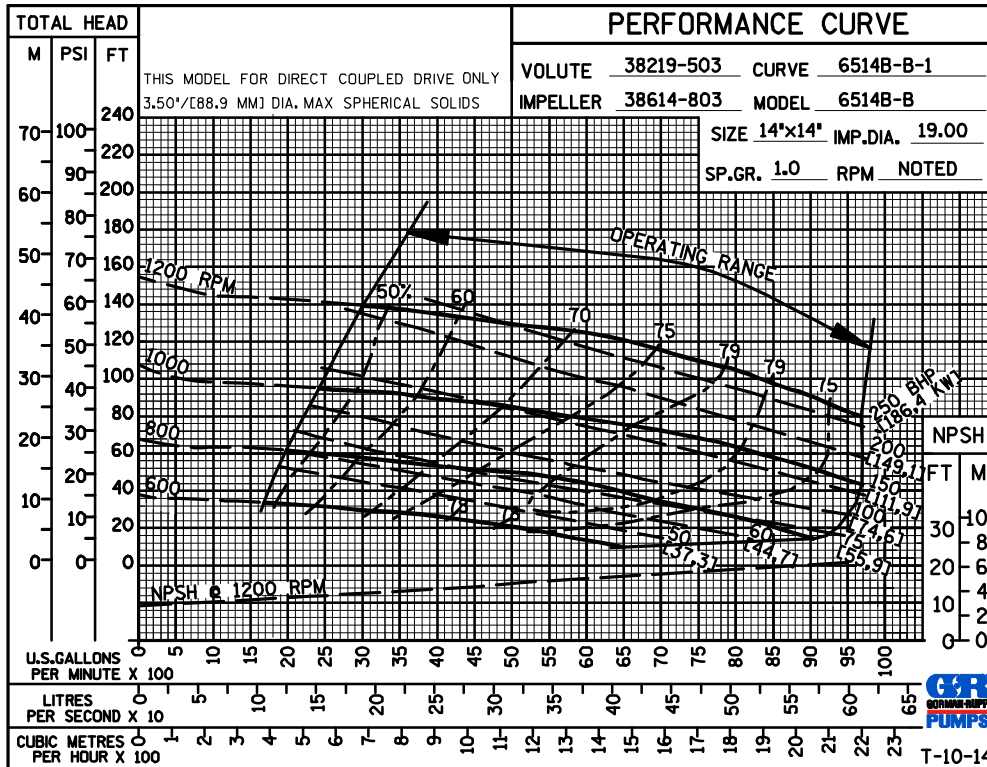
SECTION 65, PAGE 700

APPROXIMATE
DIMENSIONS and WEIGHTS

NET WEIGHT: 1483 LBS. (672,7 KG.)
SHIPPING WEIGHT: 1683 LBS. (763,4 KG.)
EXPORT CRATE: 92.4 CU. FT. (2,6 CU. M.)



**MULTI-SPEED
CURVE
PERFORMANCE
BASED ON
WATER**



GORMAN-RUPP PUMPS

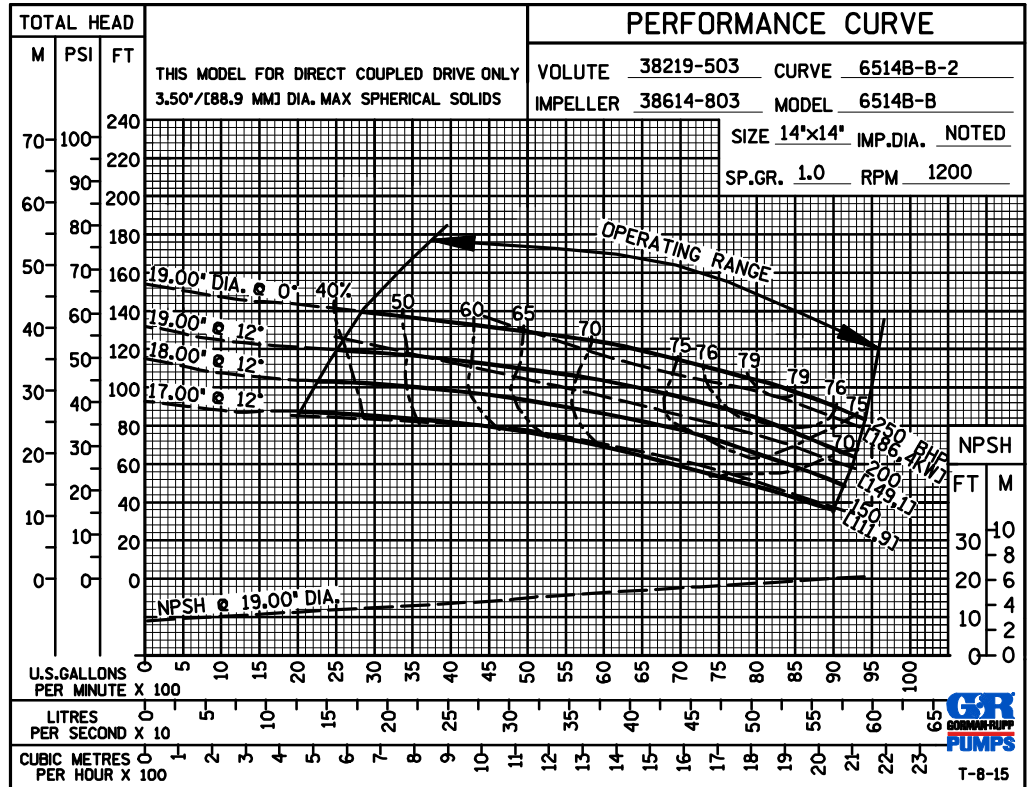
www.grpumps.com

Specifications Subject to Change Without Notice

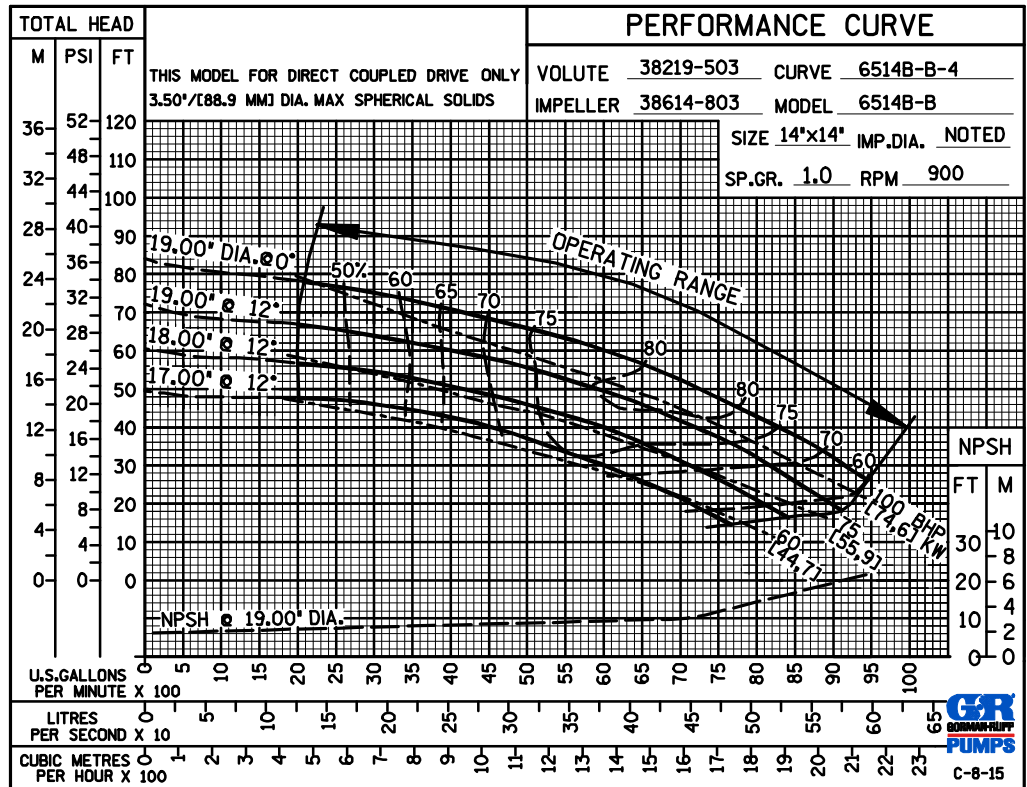


Turoteknikk Drift AS, Hildertunet 2, N-1341 Slependen, Norway
+47 67806300—mail@turoteknikk.no—www.turoteknikk.no

60 HERTZ
PERFORMANCE
BASED ON
WATER
TRIMMED
IMPELLER



60 HERTZ
PERFORMANCE
BASED ON
WATER
TRIMMED
IMPELLER



GORMAN-RUPP PUMPS

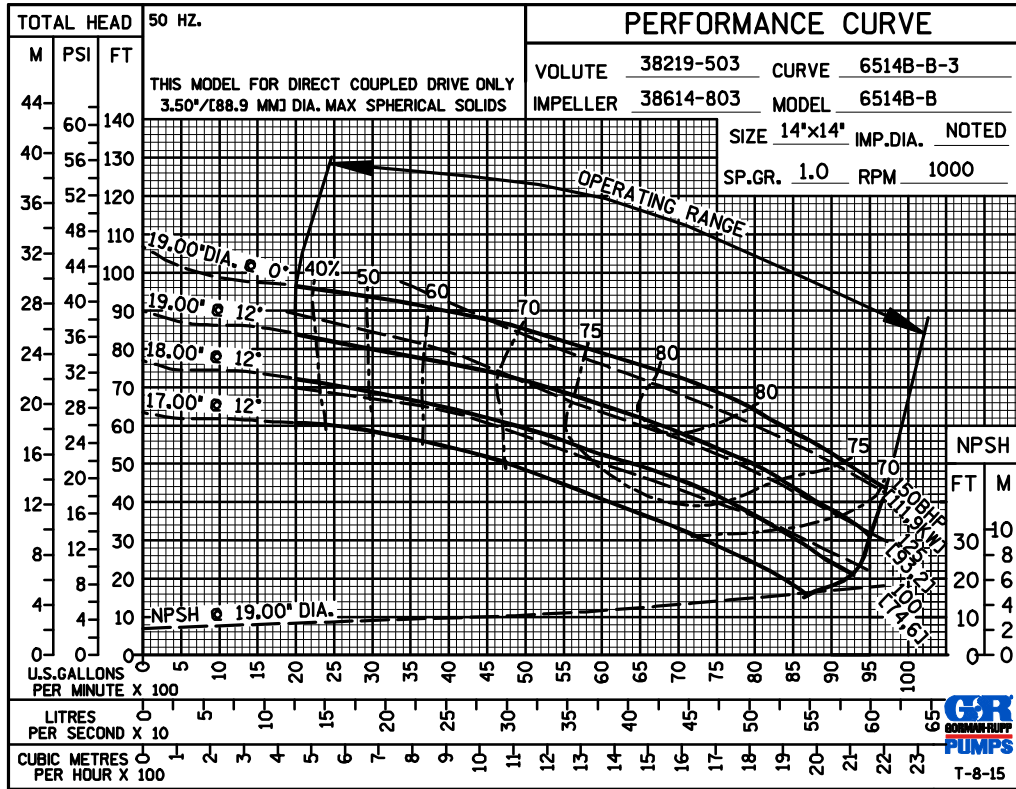
www.grpumps.com

Specifications Subject to Change Without Notice

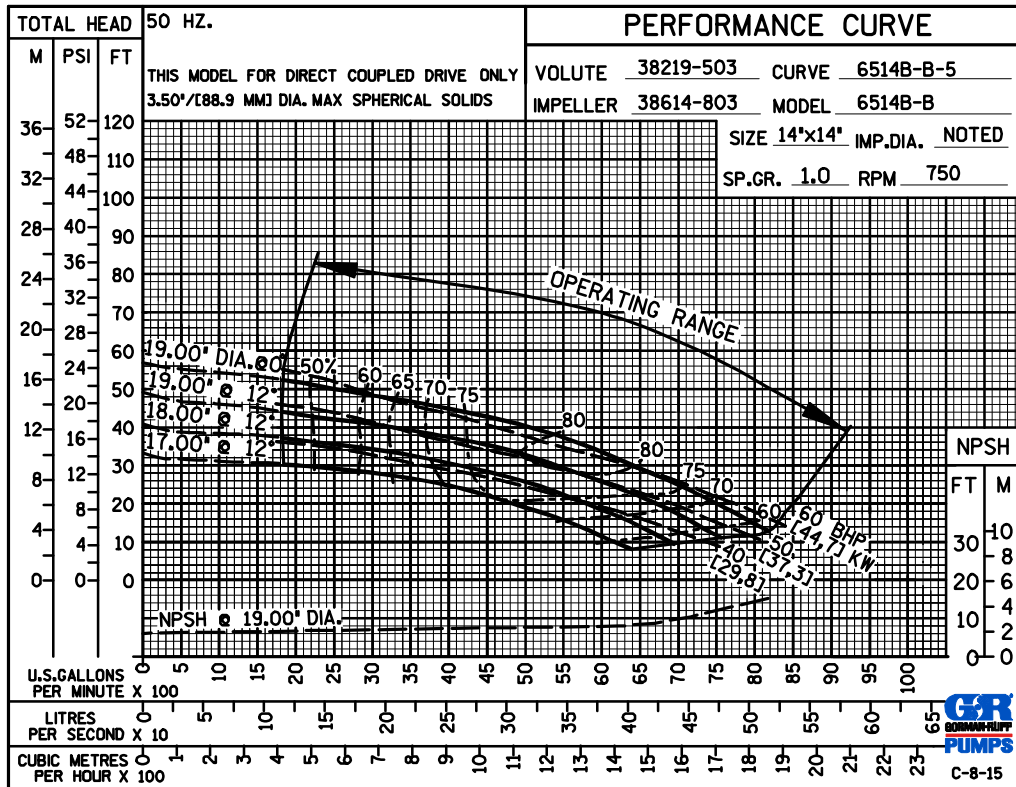


Turoteknikk Drift AS, Hildertunet 2, N-1341 Slependen, Norway
+47 67806300—mail@turoteknikk.no—www.turoteknikk.no

50 HERTZ
PERFORMANCE
BASED ON
WATER
TRIMMED
IMPELLER



50 HERTZ
PERFORMANCE
BASED ON
WATER
TRIMMED
IMPELLER



GORMAN-RUPP PUMPS

www.grpumps.com

Specifications Subject to Change Without Notice



Turoteknikk Drift AS, Hildertunet 2, N-1341 Slependen, Norway
+47 67806300—mail@turoteknikk.no—www.turoteknikk.no