

## Basic Pedestal

## Standard Centrifugal Pump

Model 6506A60-B

Size 10" x 6"



## PUMP SPECIFICATIONS

**Size:** 10" x 6" (254 mm x 152 mm) Flanged.

**Casing:** Ductile Iron 65-45-12.

Maximum Casing Pressure 231 psi (1593 kPa).\*

**Enclosed Type, Two Vane Impeller:** Ductile Iron 65-45-12.

Handles 3" (76,2 mm) Diameter Spherical Solids.

**Suction Head:** Gray Iron 30.

**Suction Spool:** Gray Iron 30.

**Impeller Shaft:** Alloy Steel 4150.

**Replaceable Wear Ring:** Ductile Iron 65-45-12.

**Pedestal:** Gray Iron 30.

**Seal Plate:** Gray Iron 30.

**Shaft Sleeve:** Stainless Steel 303/304.

**Radial Bearing:** Open Roller.

**Thrust Bearing:** Open Double Ball.

**Bearing and Seal Cavity Lubrication:** SAE 30 Non-Detergent Oil.

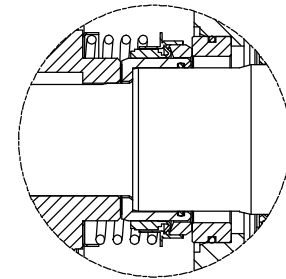
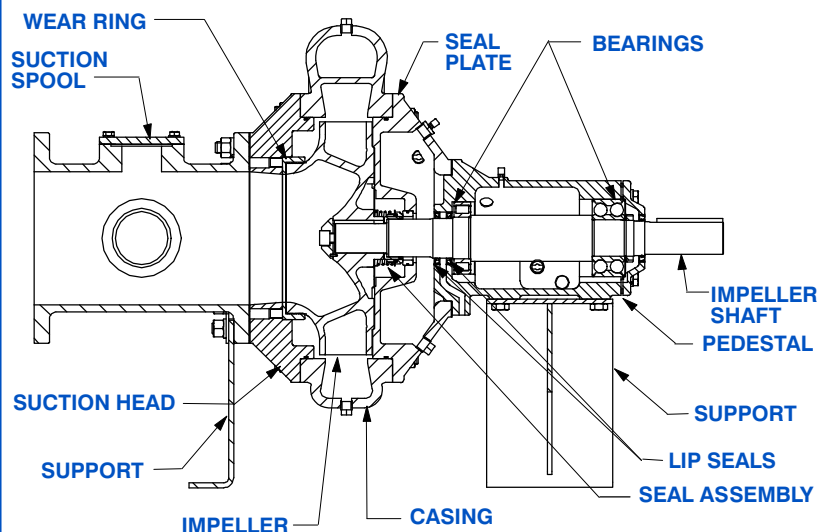
**Gaskets:** Vegetable Fiber, Red Rubber and Buna-N.

**O-Rings:** Buna-N.

**Hardware:** Standard Plated Steel.

**Bearing and Seal Cavity Oil Level Sight Gauges.**

*\*Consult Factory for Applications Exceeding Maximum Pressure and/or Temperature Indicated.*



## SEAL DETAIL

Mechanical, Oil-Lubricated. Silicon Carbide Rotating Face and Stationary Seat. Fluorocarbon Elastomers (DuPont Viton® or Equivalent). Stainless Steel 316 Cage and Stainless Steel 18-8 Spring. Maximum Temperature of Liquid Pumped 160°F (71°C).\*



GORMAN-RUPP PUMPS

www.grpumps.com

Specifications Subject to Change Without Notice



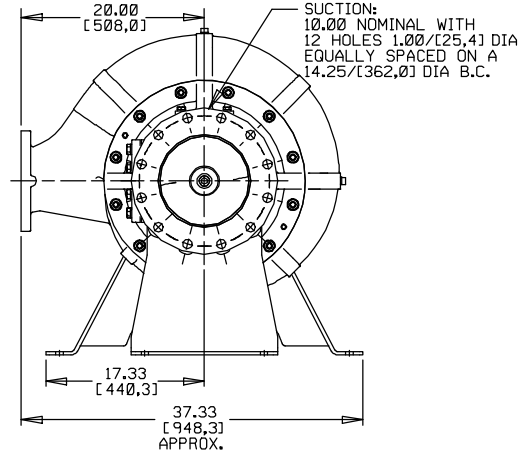
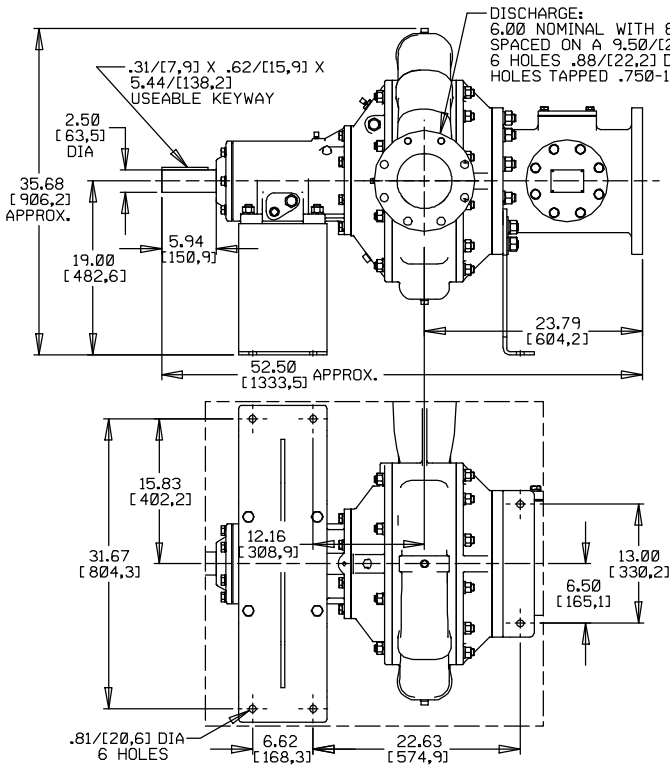
Turoteknikk Drift AS, Hildertunet 2, N-1341 Slependen, Norway  
+47 67806300—mail@turoteknikk.no—www.turoteknikk.no

**Specification Data**

**SECTION 65, PAGE 300**

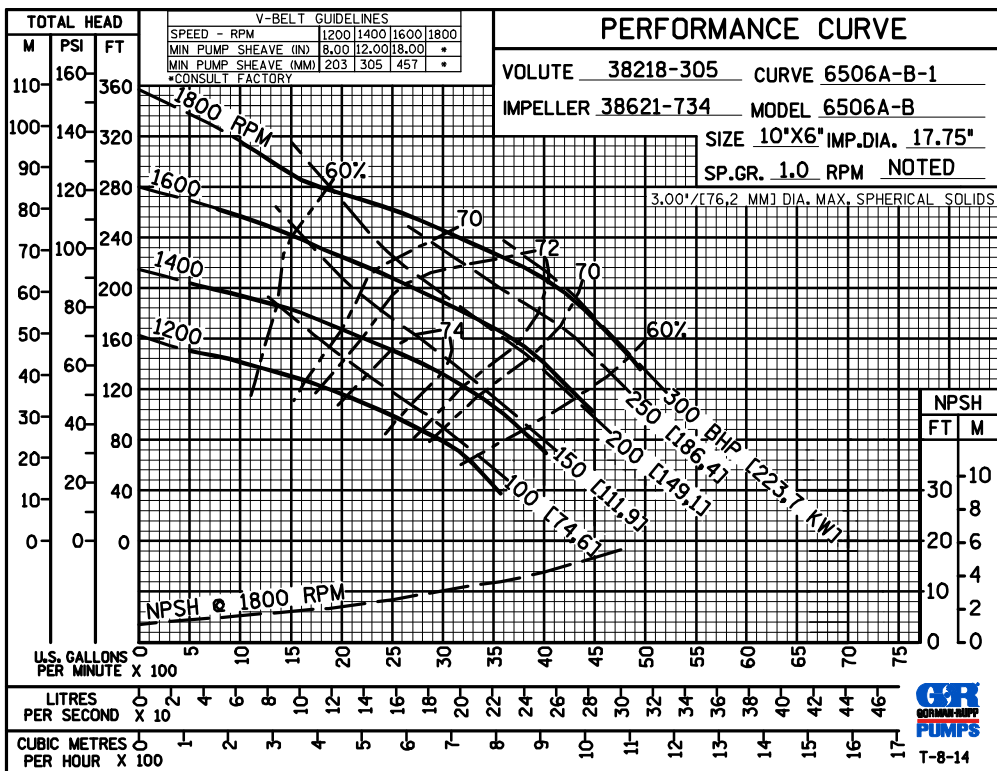
APPROXIMATE  
DIMENSIONS and WEIGHTS

**NET WEIGHT: 1053 LBS. (477,6 KG.)**  
**SHIPPING WEIGHT: 1203 LBS. (545,6 KG.)**  
**EXPORT CRATE: 61.3 CU. FT. (1,7 CU. M.)**



DIMENSIONS:  
INCHES  
(MILLIMETERS)

**MULTI-SPEED  
CURVE  
PERFORMANCE  
BASED ON  
WATER**



**GORMAN-RUPP PUMPS**

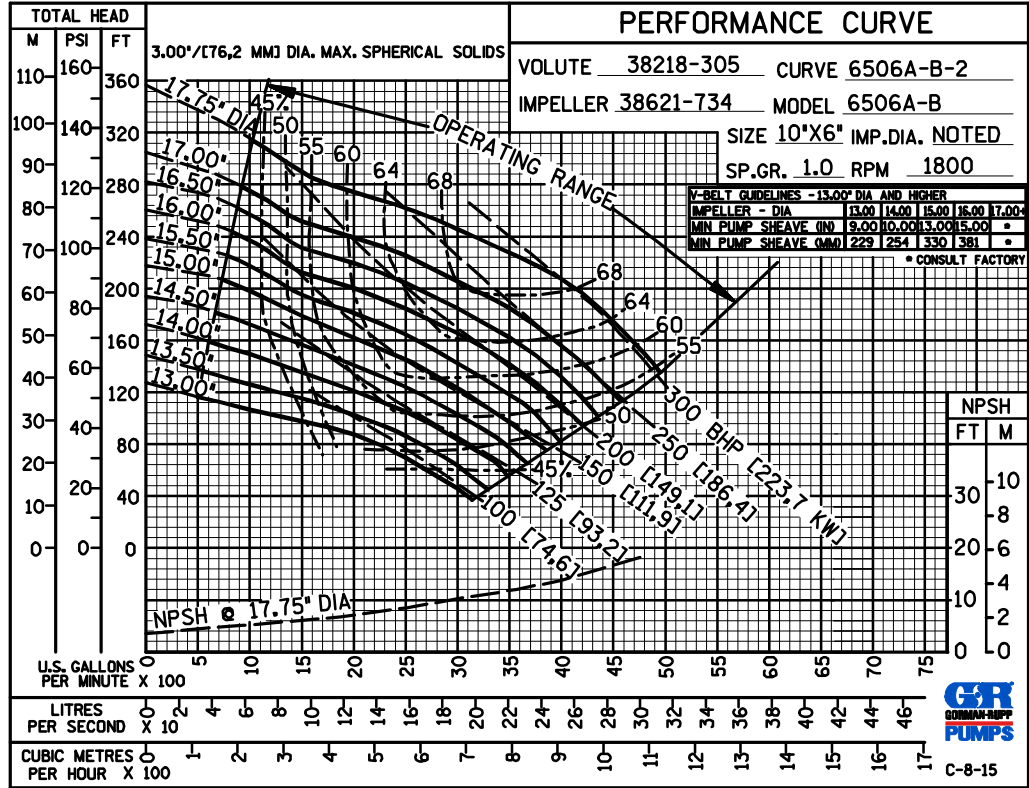
www.grpumps.com

Specifications Subject to Change Without Notice

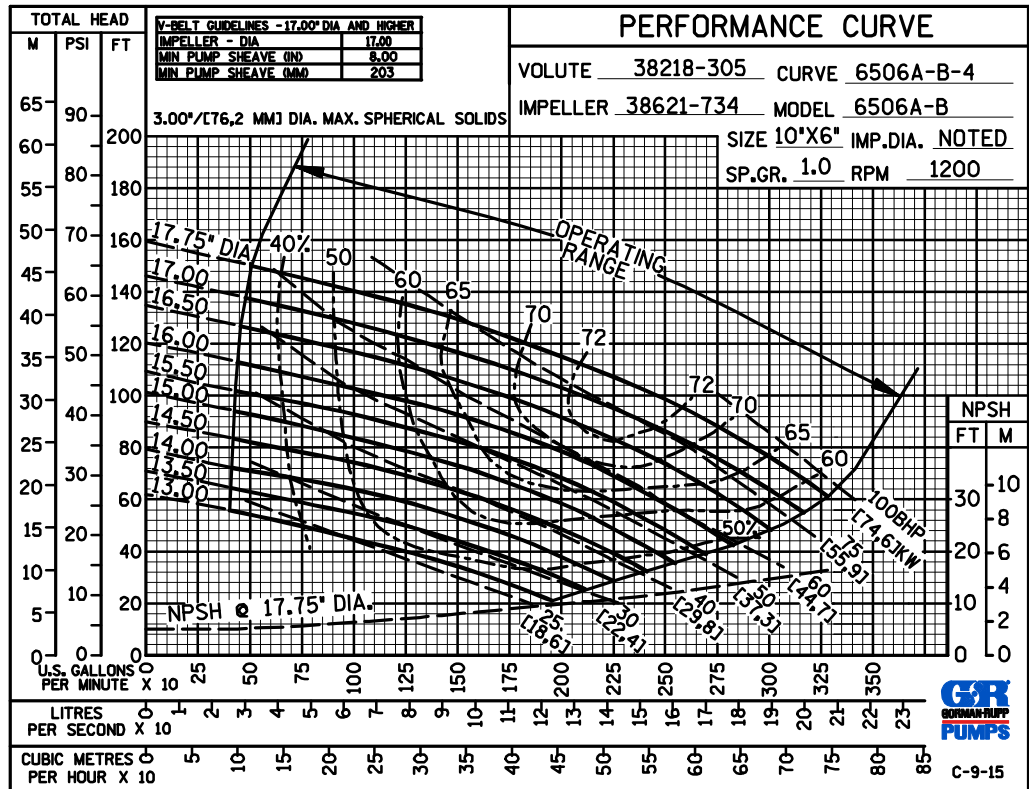


Turoteknikk Drift AS, Hildertunet 2, N-1341 Slependen, Norway  
+47 67806300—mail@turoteknikk.no—www.turoteknikk.no

60 HERTZ  
PERFORMANCE  
BASED ON  
WATER  
TRIMMED  
IMPELLER



60 HERTZ  
PERFORMANCE  
BASED ON  
WATER  
TRIMMED  
IMPELLER



GORMAN-RUPP PUMPS

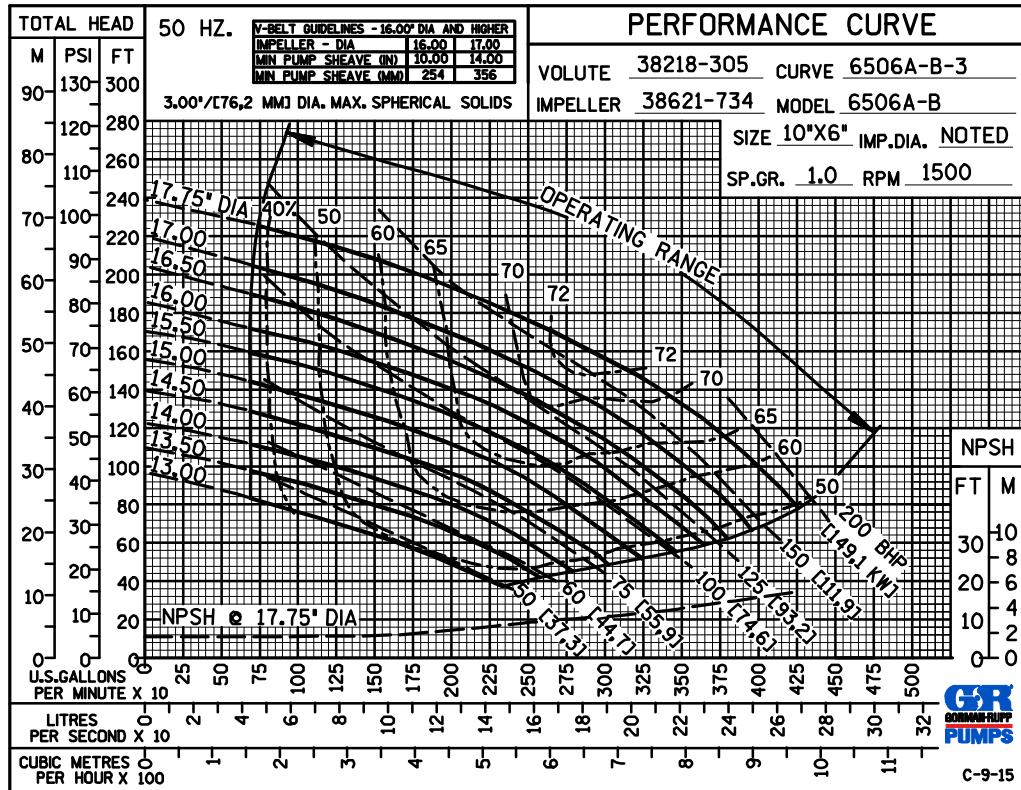
www.grpumps.com

Specifications Subject to Change Without Notice



Turoteknikk Drift AS, Hildertunet 2, N-1341 Slependen, Norway  
 +47 67806300 - mail@turoteknikk.no - www.turoteknikk.no

50 HERTZ  
PERFORMANCE  
BASED ON  
WATER  
TRIMMED  
IMPELLER



GORMAN-RUPP PUMPS

www.grpumps.com

Specifications Subject to Change Without Notice



Turoteknikk Drift AS, Hildertunet 2, N-1341 Slependen, Norway  
+47 67806300—mail@turoteknikk.no—www.turoteknikk.no