

Basic Pedestal

Standard Centrifugal Pump

Model 6504C60-B

Size 6" x 4"



PUMP SPECIFICATIONS

Size: 6" x 4" (152 mm x 102 mm) Flanged.

Casing: Ductile Iron 65-45-12.

Maximum Casing Pressure 294 psi (2027 kPa).*

Maximum Operating Pressure 250 psi (1723 kPa) at Temperatures up to 100° F (37° C) Based on System Component Limitations.*

Enclosed Type, Five Vane Impeller: Ductile Iron 65-45-12.

Handles 1/2" (12,7 mm) Diameter Spherical Solids.

Suction Head: Ductile Iron 65-45-12.

Suction Spool: Gray Iron 30.

Impeller Shaft: Alloy Steel 4150.

Replaceable Wear Ring: Ductile Iron 65-45-12.

Pedestal: Gray Iron 30.

Seal Plate: Gray Iron 30.

Shaft Sleeve: Stainless Steel 303/304.

Radial Bearing: Open Single Row Ball.

Thrust Bearing: Open Double Row Ball.

Bearing and Seal Cavity Lubrication: SAE 30 Non-Detergent Oil.

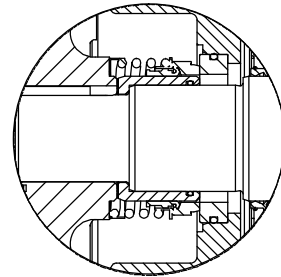
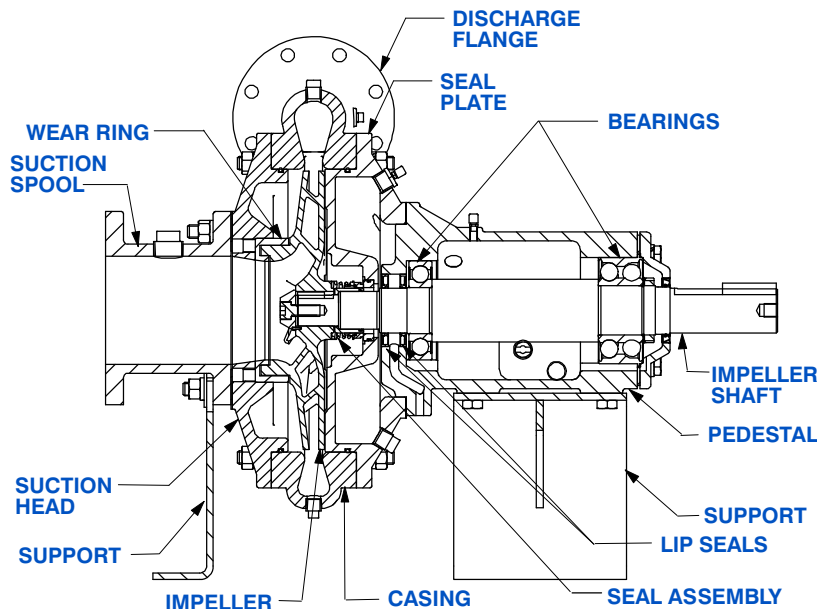
Gaskets: Red Rubber and Buna-N.

O-Rings: Buna-N.

Hardware: Standard Plated Steel.

Bearing and Seal Cavity Oil Level Sight Gauges.

**Consult Factory for Applications Exceeding Maximum Pressure and/or Temperature Indicated.*



SEAL DETAIL

Mechanical, Oil-Lubricated. Silicon Carbide Rotating Face and Stationary Seat. Fluorocarbon Elastomers (DuPont Viton® or Equivalent). Stainless Steel 316 Cage and Spring. Maximum Temperature of Liquid Pumped 160° F (71° C).*



GORMAN-RUPP PUMPS

www.grpumps.com

Specifications Subject to Change Without Notice



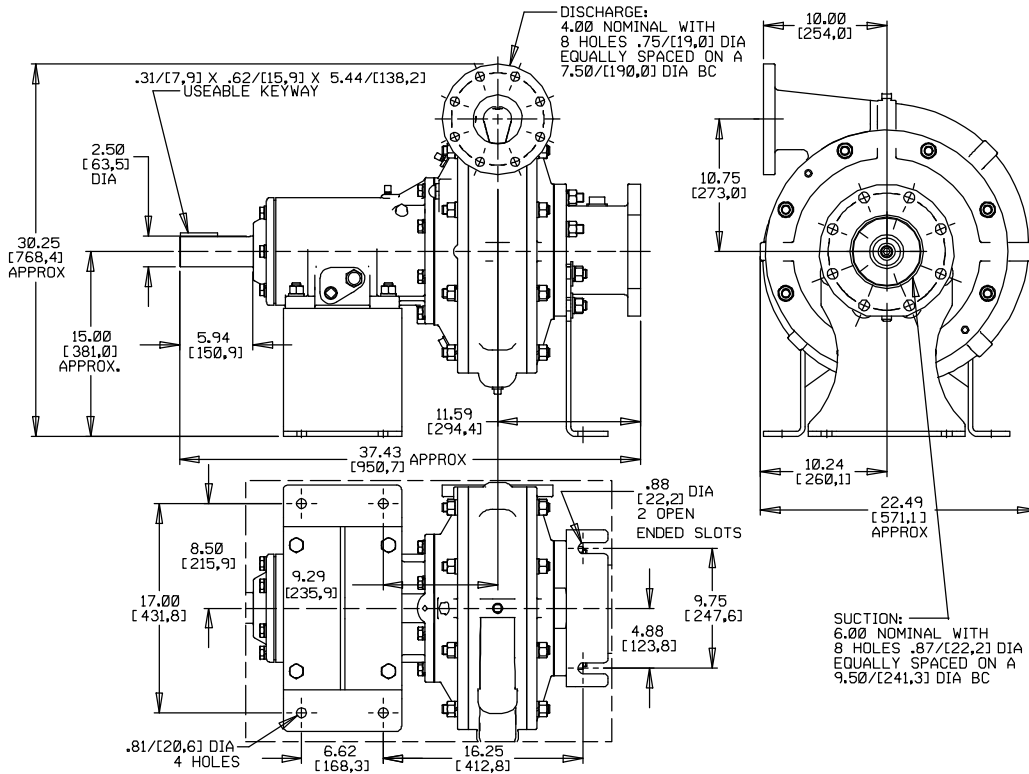
Turoteknikk Drift AS, Hildertunet 2, N-1341 Slependen, Norway
+47 67806300—mail@turoteknikk.no—www.turoteknikk.no

Specification Data

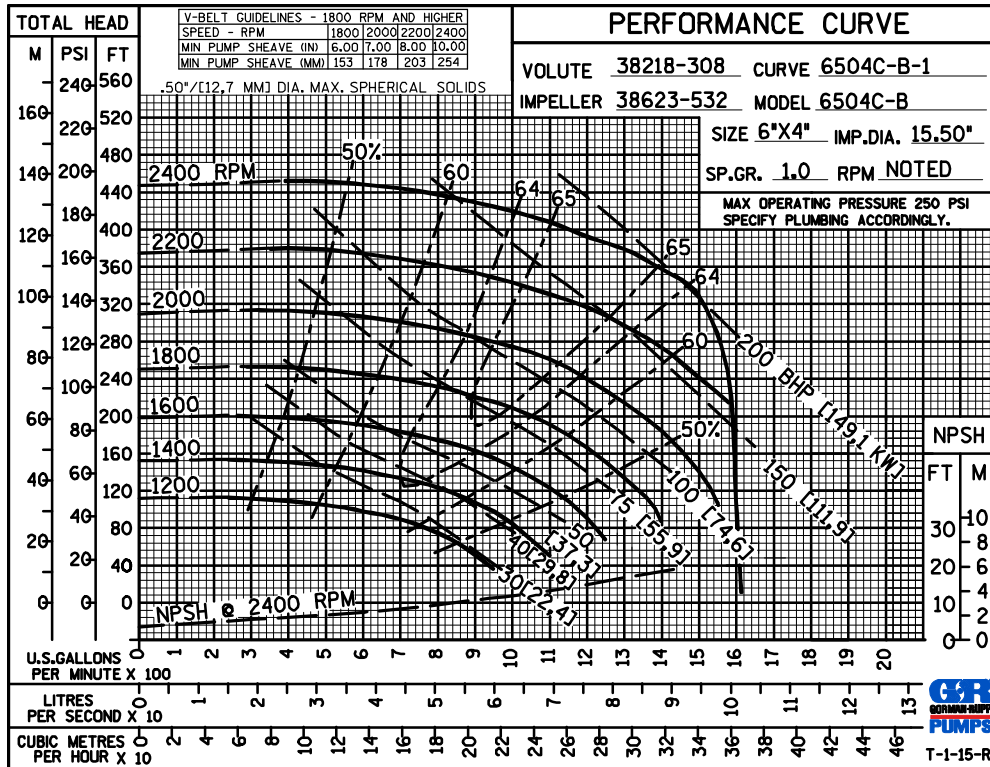
APPROXIMATE
DIMENSIONS and WEIGHTS

NET WEIGHT: 670 LBS. (303,9 KG.)
SHIPPING WEIGHT: 770 LBS. (349,3 KG.)
EXPORT CRATE: 31.9 CU. FT. (0,9 CU. M.)

SECTION 65, PAGE 210



**MULTI-SPEED
CURVE
PERFORMANCE
BASED ON
WATER**



GORMAN-RUPP PUMPS

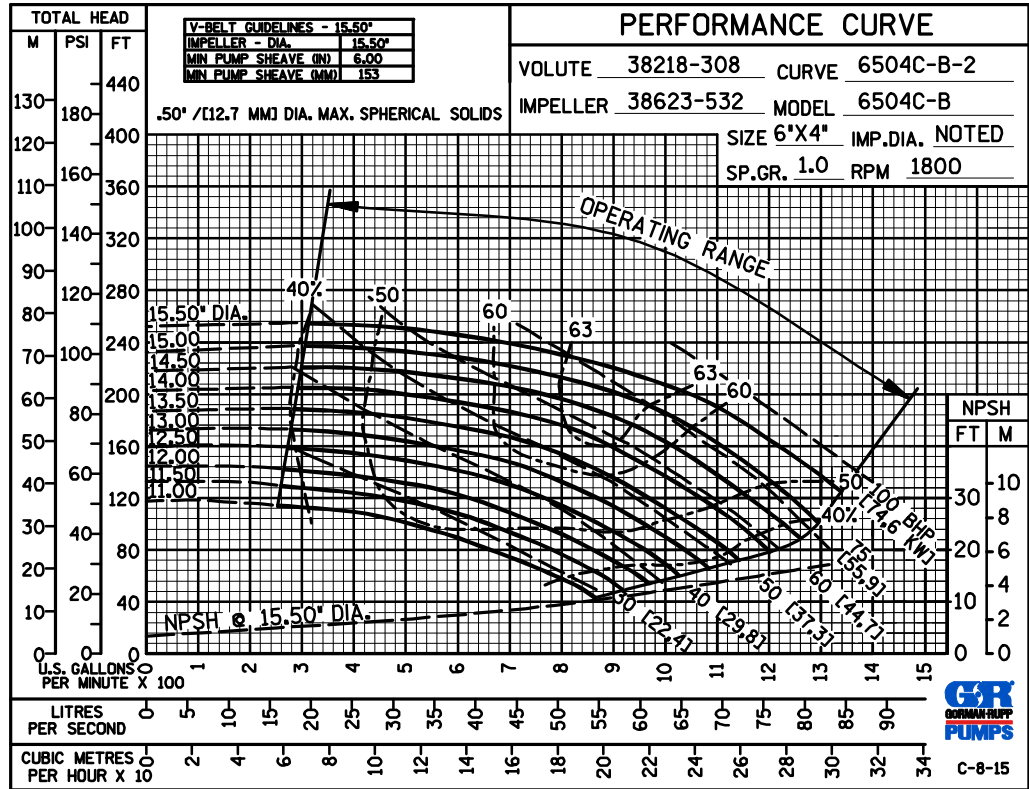
www.grpumps.com

Specifications Subject to Change Without Notice



Turoteknikk Drift AS, Hildertunet 2, N-1341 Slependen, Norway
+47 67806300—mail@turoteknikk.no—www.turoteknikk.no

60 HERTZ
PERFORMANCE
BASED ON
WATER
TRIMMED
IMPELLER



GORMAN-RUPP PUMPS

www.grpumps.com

Specifications Subject to Change Without Notice



Turoteknikk Drift AS, Hildertunet 2, N-1341 Slependen, Norway
+47 67806300—mail@turoteknikk.no—www.turoteknikk.no