

Basic Pedestal

Standard Centrifugal Pump

Model 6504A60-B

Size 6" x 4"



PUMP SPECIFICATIONS

Size: 6" x 4" (152 mm x 102 mm) Flanged.

Casing: Ductile Iron 65-45-12.

Maximum Operating Pressure 200 psi (1379 kPa).*

Enclosed Type, Two Vane Impeller: Ductile Iron 65-45-12.

Handles 3" (76,2 mm) Diameter Spherical Solids.

Suction Head: Gray Iron 30.

Suction Spool: Gray Iron 30.

Impeller Shaft: Alloy Steel 4150.

Replaceable Wear Ring: Ductile Iron 65-45-12.

Pedestal: Gray Iron 30.

Seal Plate: Gray Iron 30.

Shaft Sleeve: Stainless Steel 303/304.

Radial Bearing: Open Roller.

Thrust Bearing: Open Double Ball.

Bearing and Seal Cavity Lubrication: SAE 30 Non-Detergent Oil.

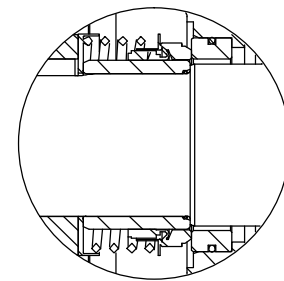
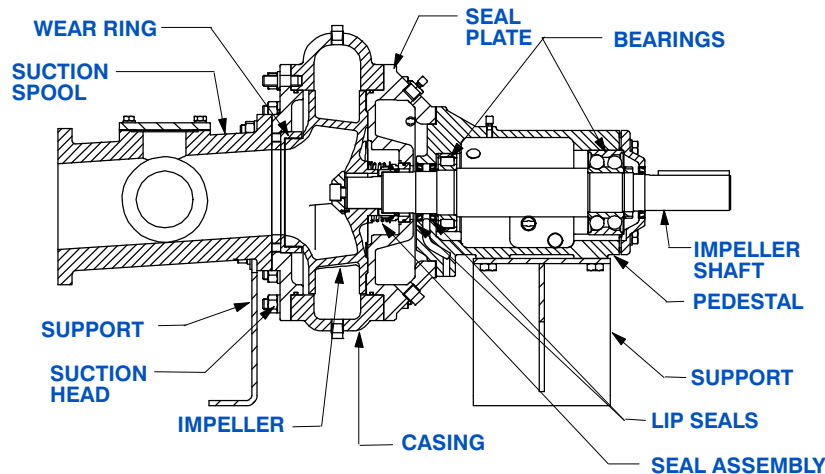
Gaskets: Red Rubber and Buna-N.

O-Rings: Buna-N.

Hardware: Standard Plated Steel.

Bearing and Seal Cavity Oil Level Sight Gauges.

**Consult Factory for Applications Exceeding Maximum Pressure and/or Temperature Indicated.*



SEAL DETAIL

Mechanical, Oil-Lubricated. Silicon Carbide Rotating Face and Stationary Seat. Fluorocarbon Elastomers (DuPont Viton® or Equivalent). Stainless Steel 316 Cage and Spring. Maximum Temperature of Liquid Pumped 160°F (71°C).*



GORMAN-RUPP PUMPS

www.grpumps.com

Specifications Subject to Change Without Notice



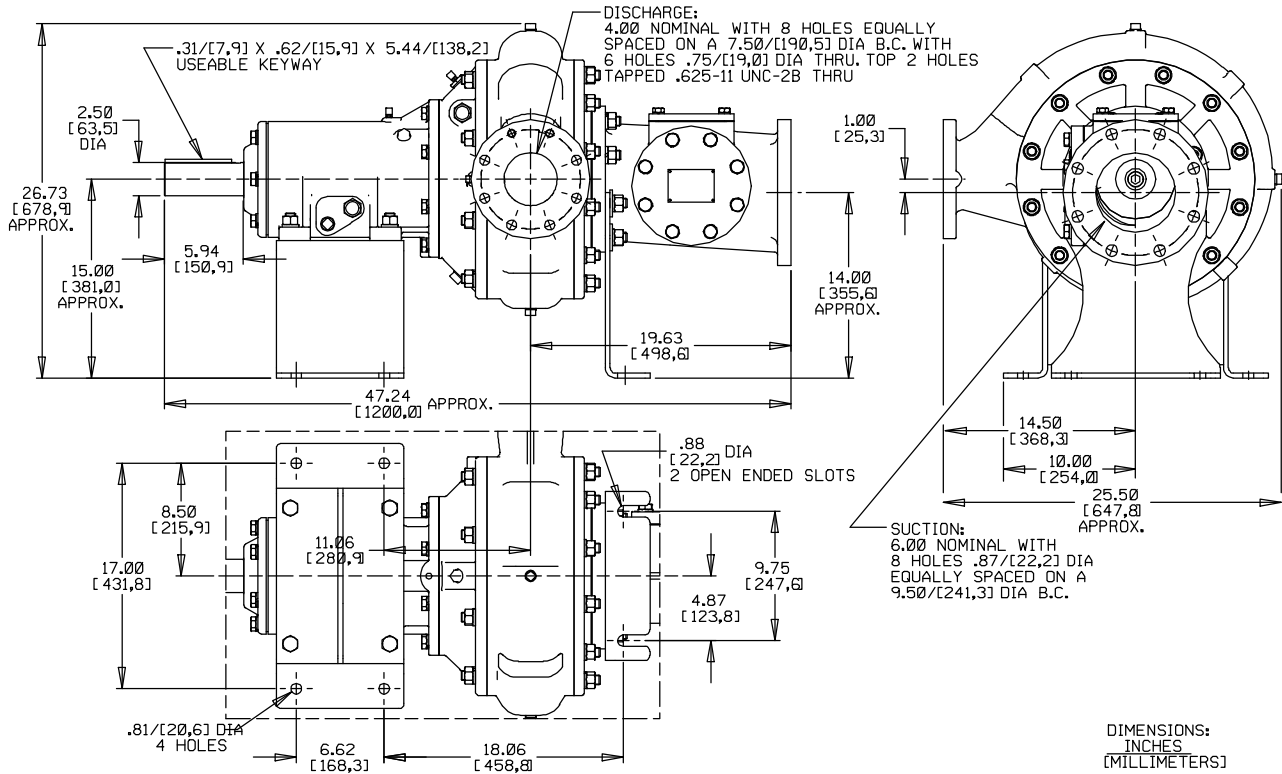
Turoteknikk Drift AS, Hildertunet 2, N-1341 Slependen, Norway
+47 67806300—mail@turoteknikk.no—www.turoteknikk.no

Specification Data

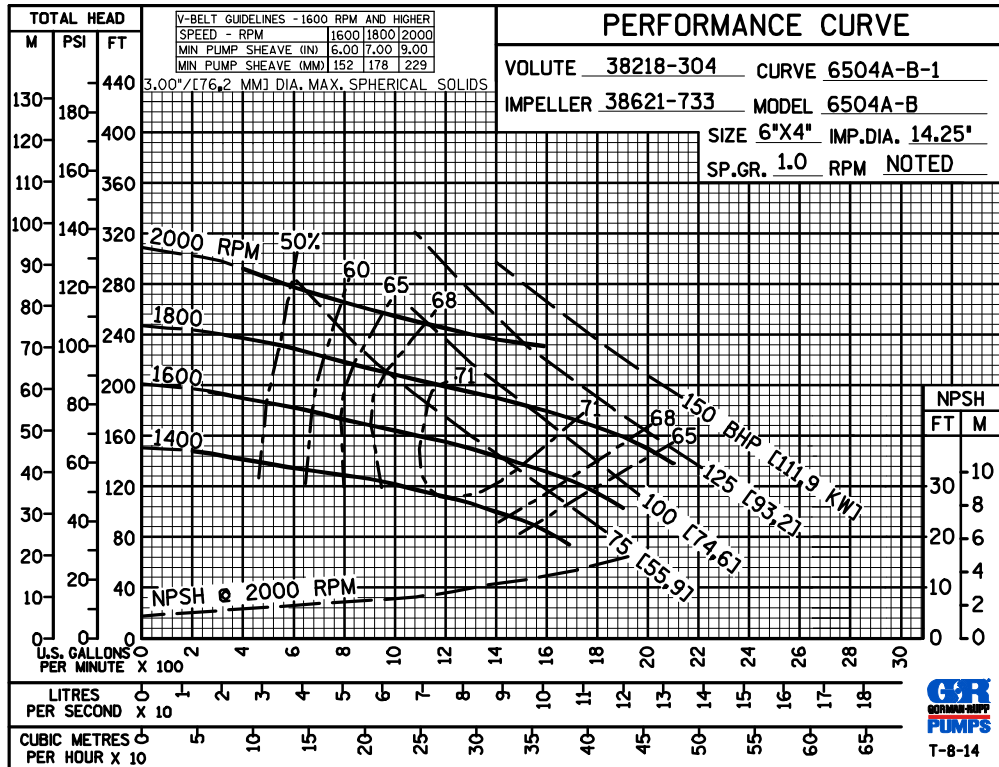
SECTION 65, PAGE 200

APPROXIMATE
DIMENSIONS and WEIGHTS

NET WEIGHT: 735 LBS. (333,4 KG.)
SHIPPING WEIGHT: 835 LBS. (378,7 KG.)
EXPORT CRATE: 31.9 CU. FT. (0,9 CU. M.)



**MULTI-SPEED
CURVE
PERFORMANCE
BASED ON
WATER**



GORMAN-RUPP PUMPS

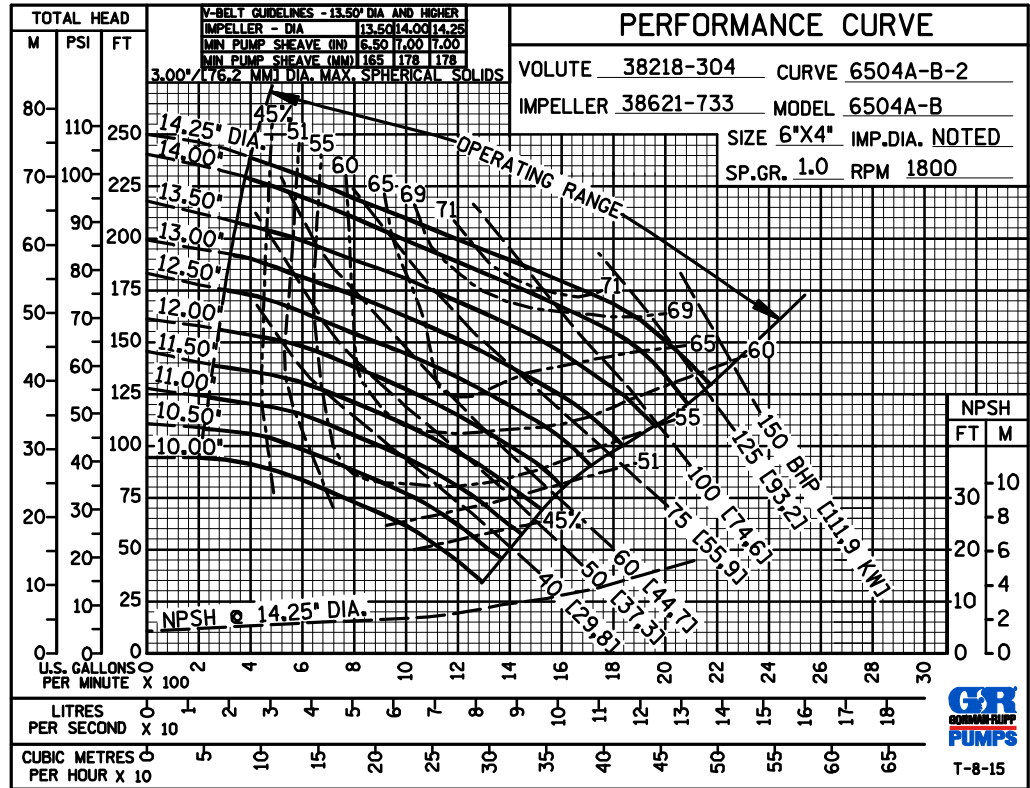
www.grpumps.com

Specifications Subject to Change Without Notice



Turoteknikk Drift AS, Hildertunet 2, N-1341 Slependen, Norway
+47 67806300—mail@turoteknikk.no—www.turoteknikk.no

60 HERTZ
PERFORMANCE
BASED ON
WATER
TRIMMED
IMPELLER



GORMAN-RUPP PUMPS

www.grpumps.com

Specifications Subject to Change Without Notice



Turoteknikk Drift AS, Hildertunet 2, N-1341 Slependen, Norway
+47 67806300—mail@turoteknikk.no—www.turoteknikk.no