

TV-FM-AM antenna Mark 32ALC

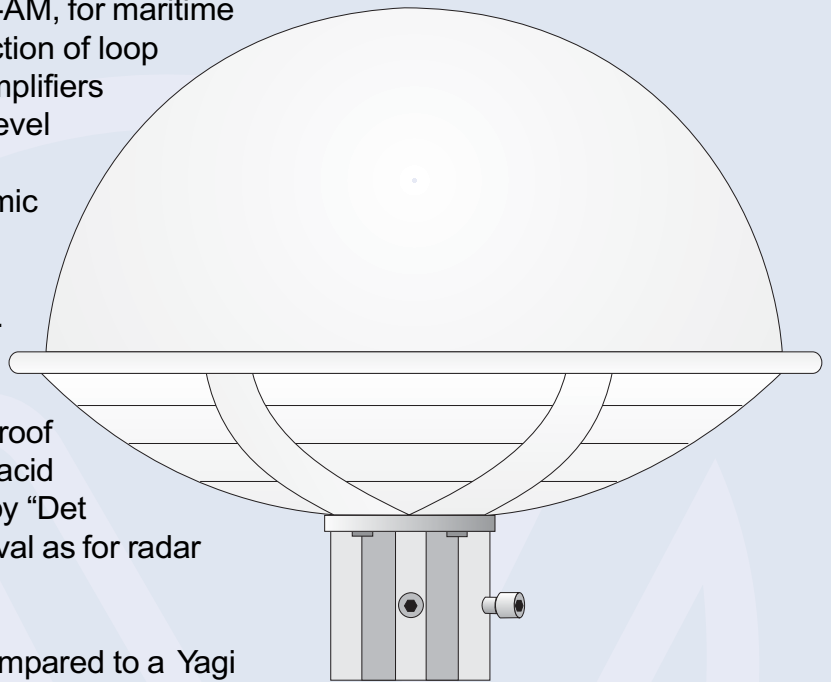
Mark 32ALC is an omni-directional wide band antenna (0.1-26.5 and 40-860 MHz) TV-FM-AM, for maritime purposes. It is based on a construction of loop antennas coupled to three band amplifiers each with an individual automatic level control unit - ALC.

The ALC's have very high dynamic range, and keeps the antenna free from intermodulation even in the vicinity of high power transmitters.

Mark 32ALC is made of ABS plastic and filled with polyurethane foam. Mounting base in saltwater proof special alloy and bolts in stainless acid proof steel. Mark 32ALC is tested by "Det Norske Veritas" for the same approval as for radar equipment.

The advantages of Mark 32ALC compared to a Yagi antenna system are:

- ALC Automatic level control.
- Rigid, non-corrodible, maintenance free construction
- Small dimensions and easy to mount.
- Omni-directional, no adjustments.
- Replaceable amplifier.



TECHNICAL SPECIFICATIONS

Frequency range:	0.1-26.5 MHz, 40-110 MHz, ALC > 60 dB 170-230 MHz, ALC > 50 dB 470-890 MHz, ALC > 35 dB(470-700 MHz) ALC > 25 dB(700-890 MHz)
Gain:	>12 dB@0.1-26.5 MHz >25 dB@40-110, 170-230 MHz >25 dB@470-890 MHz
Return loss:	>16 dB@40 MHz -1.5 dB/octave
Noise factor:	4.5 dB
ALC limited output level: (CTB < -60 dB)	95 dB μ V
Output impedance:	75 ohm
Supply voltage:	15 V DC
Current consumption:	approx. 200 mA
EMC:	EN 50082-1, 55024-2, 55024-4
Operation temp. range:	-40 - +70°C
Wavetraps:	156 MHz VHF (radiotelephone)
Weight:	3 kg
Material:	ABS plastic white (grey on special order)

0210

Since 1971, the objective of Naval Electronics has been to offer the best possible products for TV and Radio reception at sea. Naval began with omnidirectional antennas and is the world leader in this field of technology today. Now, with an expanded product range, the name Naval means much more than antennas. Naval operates in more than 40 countries and has installations on thousands of vessels all over the world.

All specifications stated are subject to change without notice.



Marine Broadband Communication

Naval Electronics AB

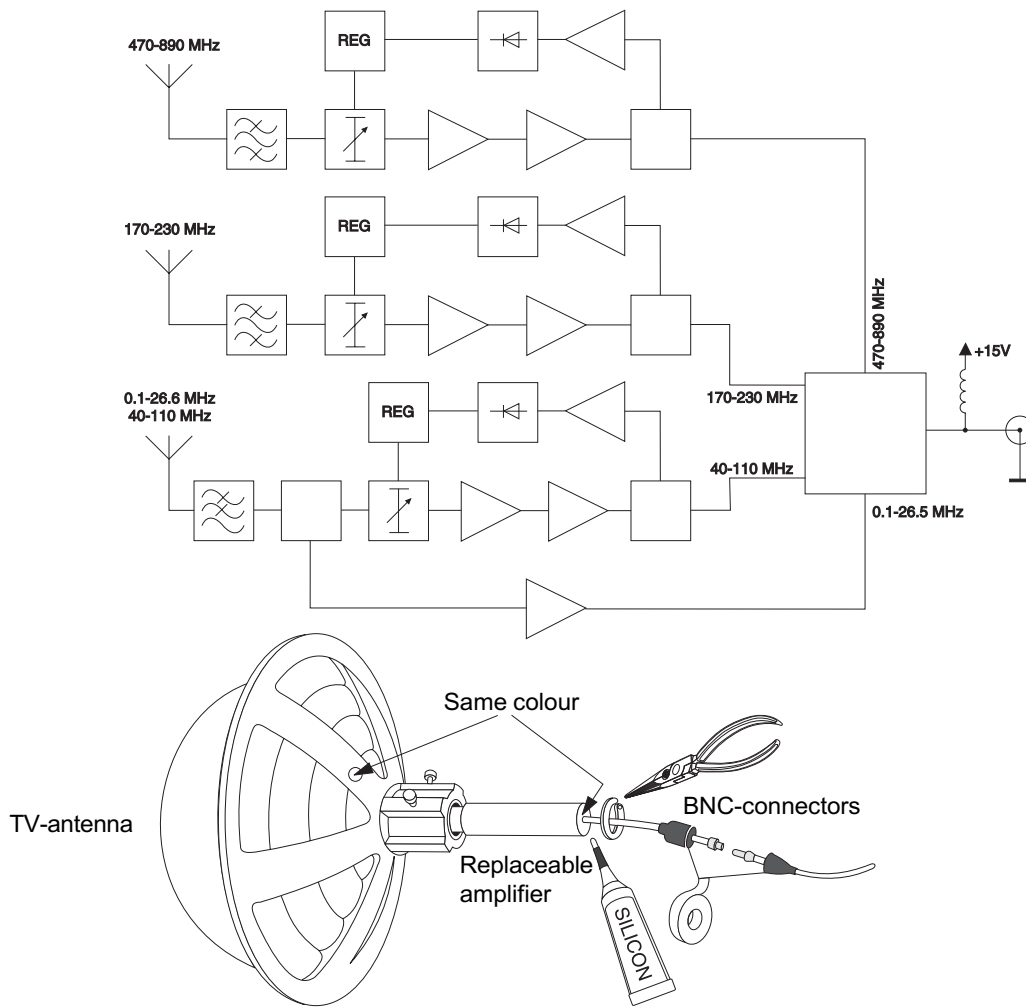
Höjrodergatan 18, SE-212 39 Malmö, Sweden

Tel. +46(0)40-29 20 45. Fax +46(0)40-18 74 13

E-mail:sales@naval.se www.naval.se

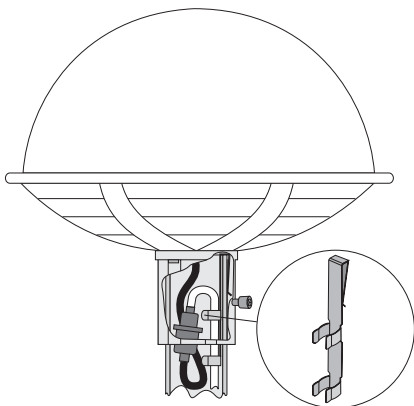
3004

TV-FM antenna Mark 32ALC



Antennas are as standard delivered with the amplifier mounted and sealed with silicon compound. The coaxial cable is supplied with a female connector which must be carefully sealed after connecting the replaceable amplifier. Compress the rubber covers and

secure with vulcanizing silicon rubber tape. The antenna should be mounted as high as possible and also as far away as possible from transmitting antennas and radars to avoid interference.



Mounting of cableholder.

