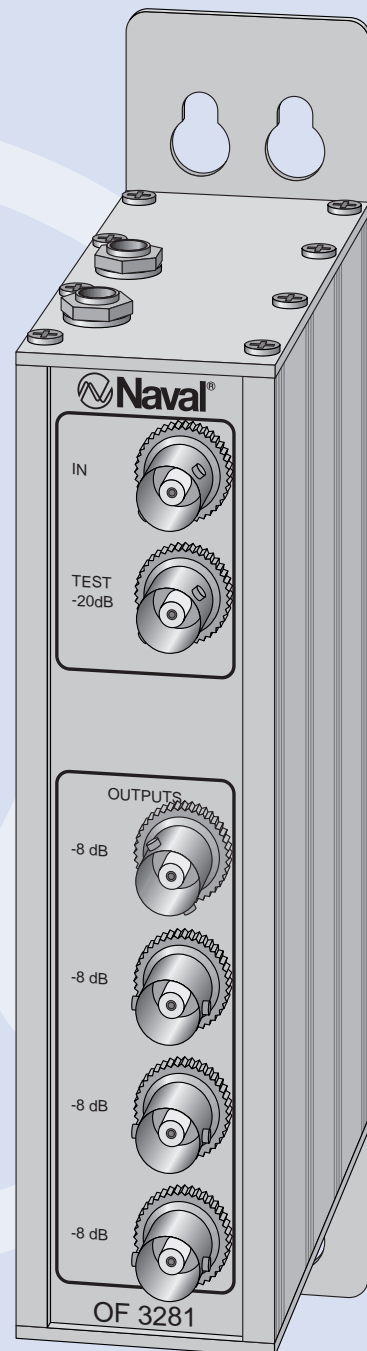


Output Filter OF 3281

OF 3281 is a low-loss transformer-coupled four-way splitter for use in cassette amplifier systems. It is mounted in a solid, high frequency shielded case. It is important to note that all outlets not used must be terminated with 75 Ohms resistors.

TECHNICAL SPECIFICATIONS

Frequency range:	0.1-890 MHz
Input/Output impedance:	75 Ohm
Operational temp. range:	-40° - +60°C
Splitter loss:	8 dB (typ)
Return loss:	20-14 dB
Return loss 17 dB at 40 MHz:	-1.5 dB/octave



Size: (H) 210 mm x (W) 41 mm x (D) 96 mm

9410

Since 1971, the objective of Naval Electronics has been to offer the best possible products for TV and Radio reception at sea. Naval began with omnidirectional antennas and is the world leader in this field of technology today. Now, with an expanded product range, the name Naval means much more than antennas. Naval operates in more than 40 countries and has installations on thousands of vessels all over the world.

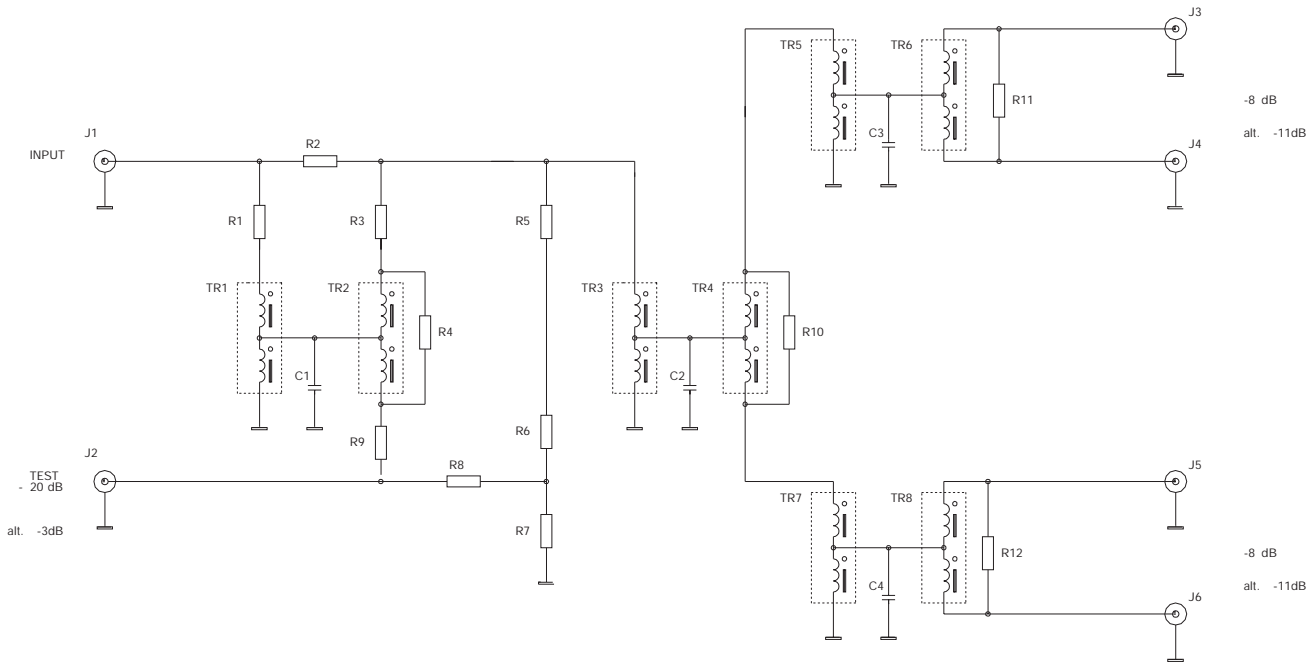
All specifications stated are subject to change without notice.

 **Naval**
Electronics AB

Höjdrodergatan 18, S-212 39 Malmö, Sweden.
Tel. +46(0)40-29 20 45. Fax +46(0)40-18 74 13.

6114

Output filter OF 3281



COMPONENT LIST OF 3281

REF.		NAVAL NO.		
R2	0 ohm 0805	SMD 116.999	J1	BNC female 141.010
R5	0 ohm		J2	BNC female
R6	330 ohm	SMD 116.061	J3	BNC female
R7	100 ohm	SMD 116.049	J4	BNC female
R8	0 ohm		J4	BNC female
R10	150 ohm	SMD 116.053	J5	BNC female
R11	150 ohm		J5	BNC female
R12	150 ohm		J6	BNC female
C2	1 pF 0805	SMD 125.007		
C3	1 pF			
C4	1 pF			
TR3	TR 2-5	132.033		
TR4	TR 2-2	132.032		
TR5	TR 2-5			
TR6	TR 2-2			
TR7	TR 2-5			
TR8	TR 2-2			

Specifications stated are subject to change without notice.